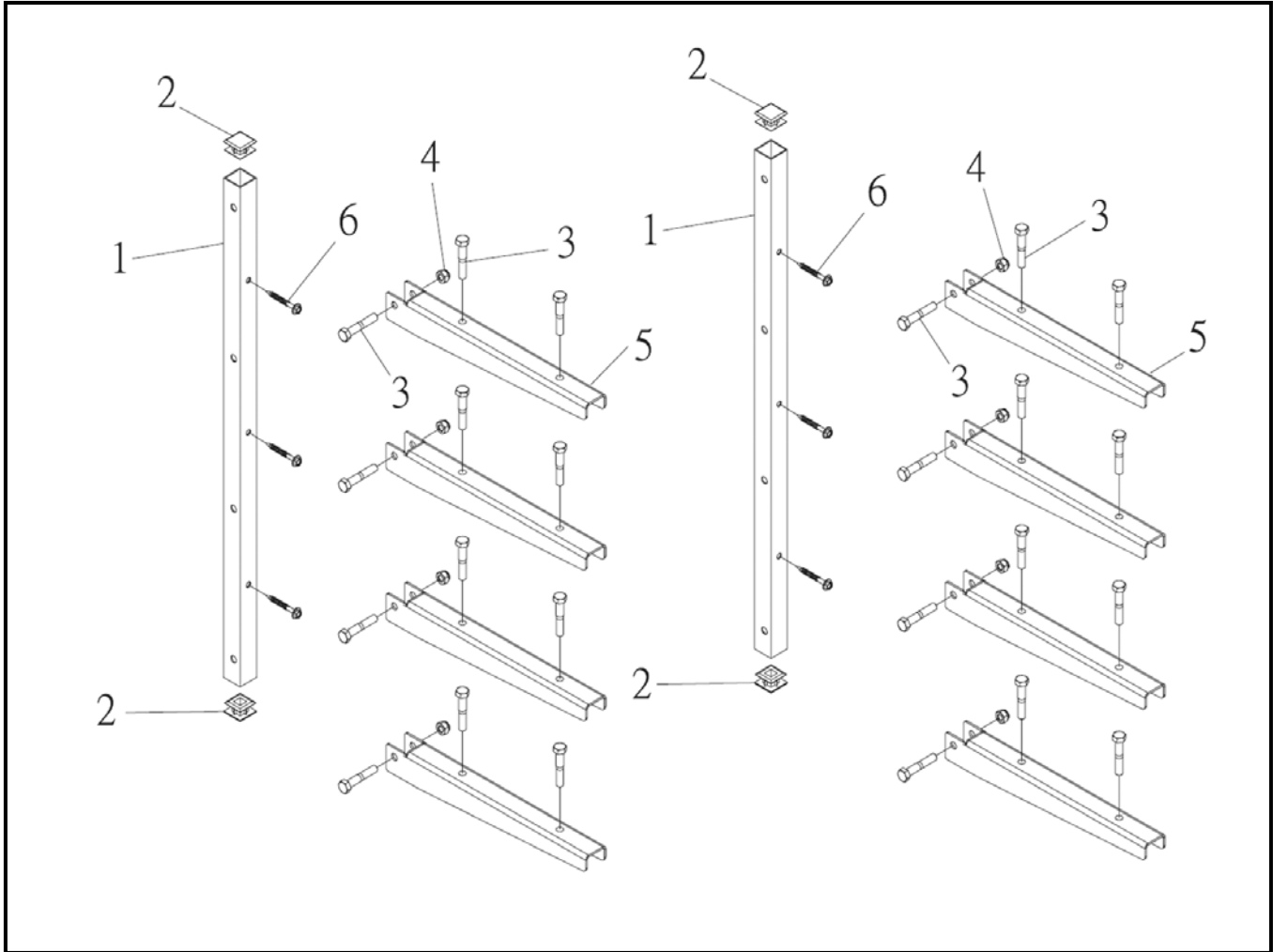


MODEL: B2982

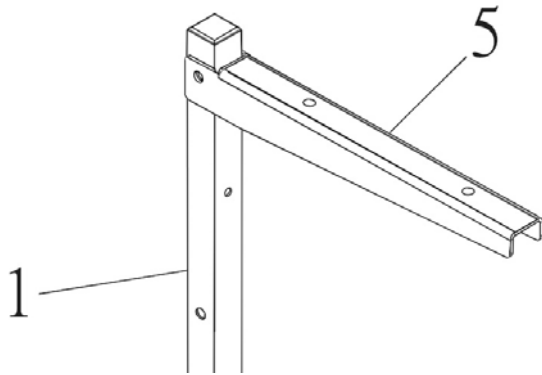


PARTS LIST

NO	DESCRIPTION	QTY
1	Tube 1"	2
2	Tube Cap 1"	4
3	Hex. Head Bolt Screw 5/16" x 1-3/4"	24
4	Lock Nut 5/16"	8
5	Rack	8
6	Wood Screw 12# x 2"	6

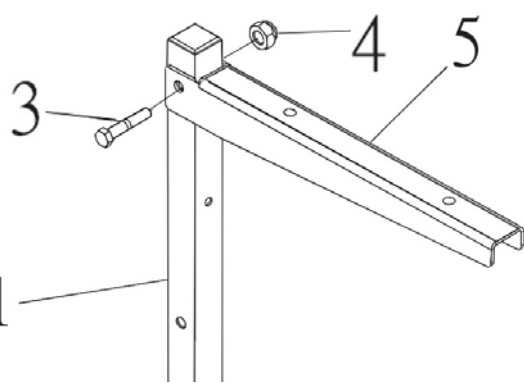
busybeetools.com

ASSEMBLY INSTRUCTIONS



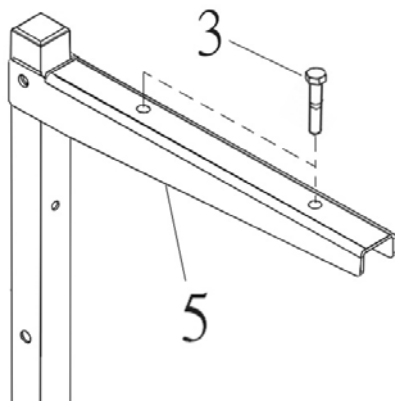
STEP 1:

Insert a 1" tube (NO.1) into a rack (NO.5) and make sure the screw holes of tube and rack are level.



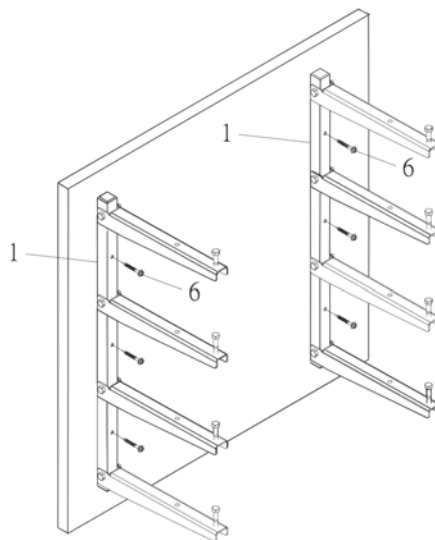
STEP 2:

Use a Hex. Head Bolt Screw (NO.3) and Lock Nut (NO.4) to assemble the tube (NO.1) and rack (NO.5)



STEP 3:

Insert Hex. Head Bolt Screw (NO.3) to the proper position and height you require.



STEP 4:

Fix all the assembled components on the wall as above. Make sure both sides are parallel to each other. Fasten 1" tube (the center holes) with 6 wood screws (12# x 2") into 2" x 4" wood stud in the wall.

CAUTION: Make sure your B2982 is secured firmly before putting on any load.

busybeetools.com