

SAFETY ENCLOSURE FOR 13" & 15" inteliCarve CNC MACHINES

This safety enclosure features impact resistant Lexan, safety interlock doors with auto shut off.

LIST OF CONTENTS

Door	2
Side Panel	2
Brace (without Screw).....	2
Brace (with Screw).....	2
Switch Box Assembly	1
Hinge Shaft	4
Mounting Bracket.....	4
4mm Allen Key	1
Wire Clip	4
Controller Holder (<i>only for 15" Carver</i>).....	1
Hardware Bag.....	1

ASSEMBLY

Slide the square nuts into the T-slots of the braces and secure them to the two side panels by tightening the screws provided. See figure-1.

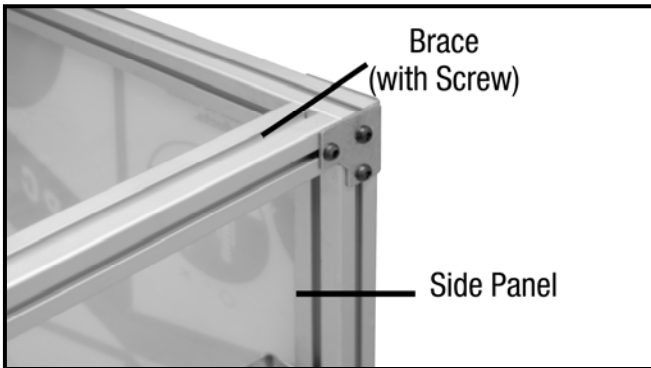


Figure-1 Securing the brace to the side panel

NOTE!

There are two braces that have 2 screws/nuts already installed on the brace to mount the door limit switch. When assembling the braces, ensure that these two braces with the screws will be oriented over the door side, with the screws facing inward on the enclosure.

Slide the two hinge shafts into the hinges on the side panel and install the door.

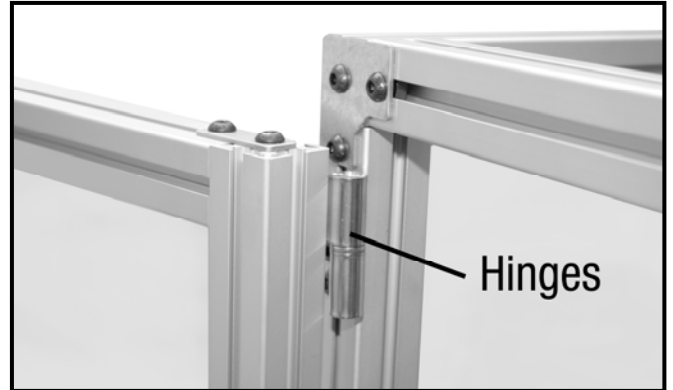


Figure-2 Installing the door

Install the second door in the same manner.

Attach the switch box to the right hand side of the enclosure. This will orient the switch to be on the same side as the controller on the machine. Secure it by inserting the screws through the holes on the switch box into the square nuts in the brace T-slot.



Figure-3 Installing the switch box

The two door limit switches come with the mounting brackets attached to them. Secure the limit switches to the inside of the enclosure by inserting the screws through holes on the bracket into the square nuts on the upper braces as shown in figure-4.

NOTE!

If the machine will not start or the power goes off, when you release the pressure on the start button on the remote switch attached to the enclosure, it might be necessary to relocate the door limit switch as it is not being closed completely.

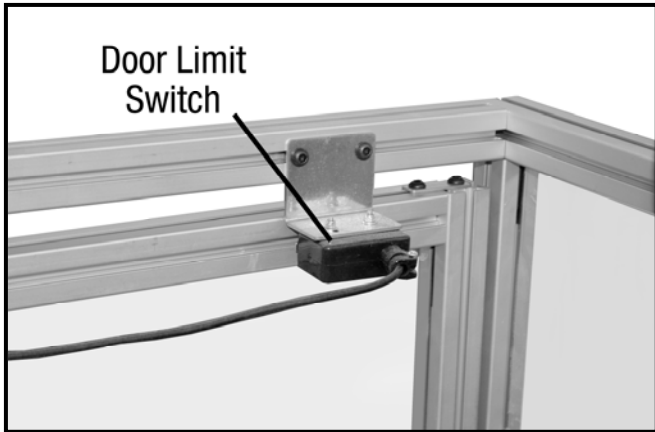


Figure-4 Installing the door limit switch

WARNING!

Do not open the safety enclosure door while the machine is carving a project. Opening the safety enclosure door during operation will result in an interruption of power and the memory of the current operation will be lost.

The safety enclosure comes with 4 mounting brackets which allow securing the safety enclosure onto the stand. See figure-5.

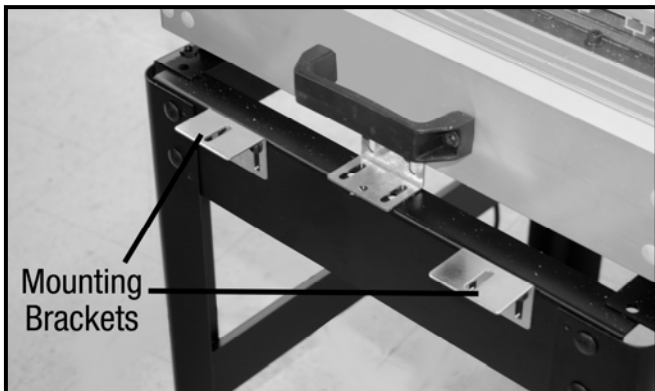


Figure-5 Safety enclosure mounting brackets installed onto the stand (shown with 13" intelliCarve machine on the stand)

ONLY FOR 15" CNC intelliCarve

The 15" intelliCarve machine comes with a controller holder which is installed to the machine for hanging the controller.

Remove the screws located on the switch side of the machine, one screw secures the hanger bracket and the one below it, holds the end plate. Replace the two screws with two cap screws (M5-0.8 x 20) provided and insert the screws through the two holes on the controller holder and the end plate into the holes on the machine and tighten. See figure-6.

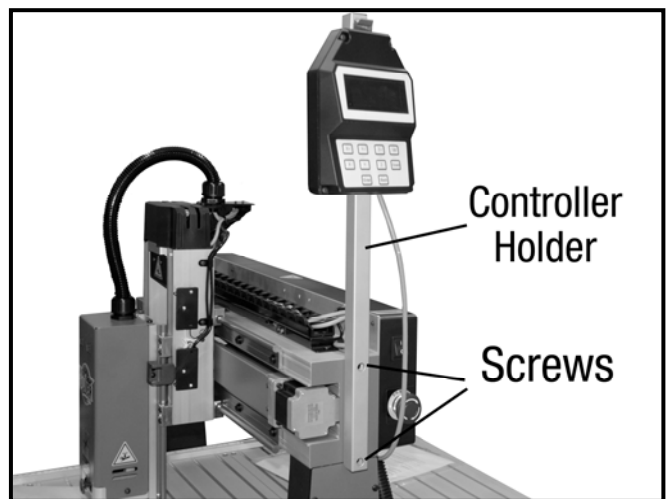
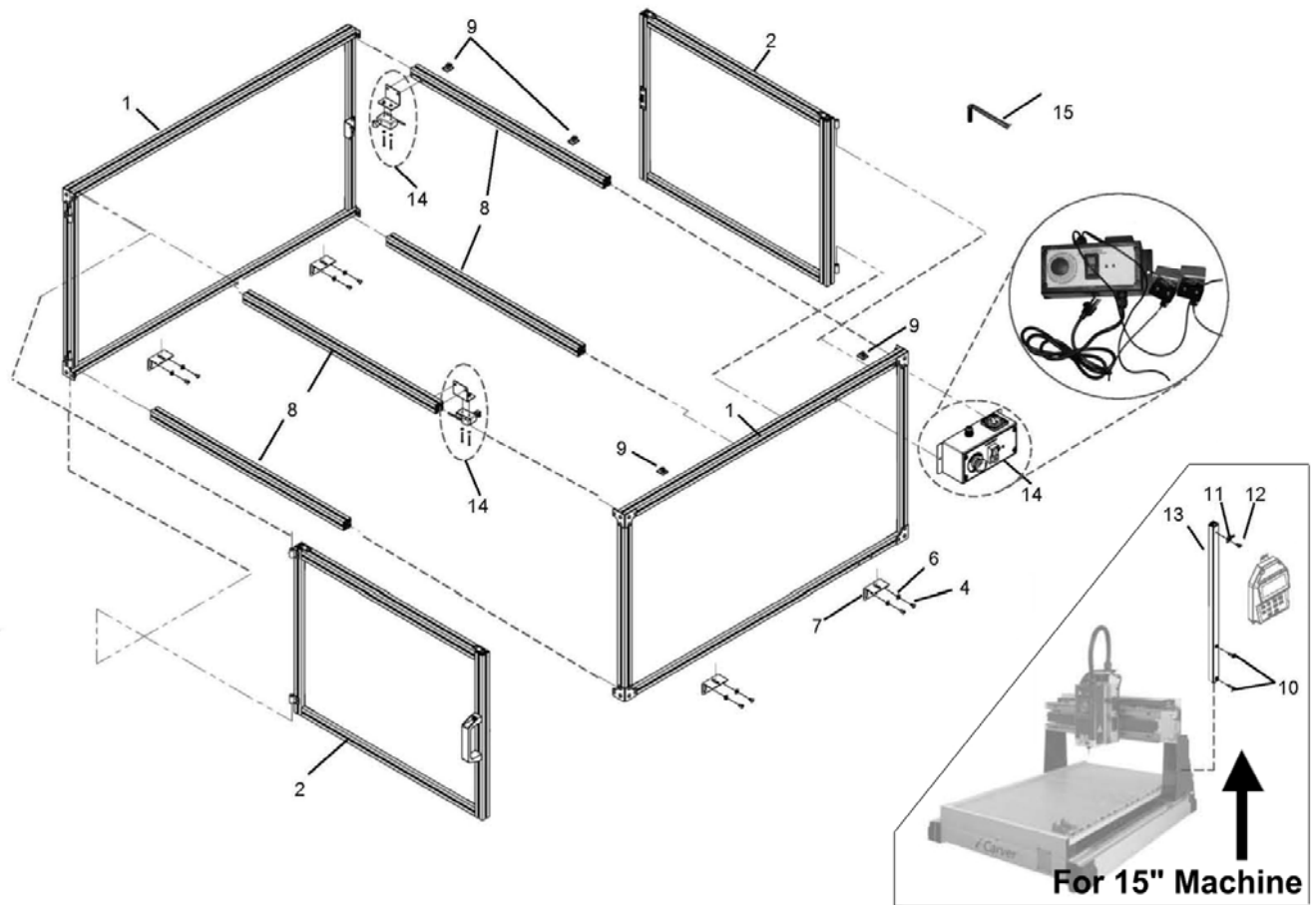


Figure-6 Installing the controller holder on 15" intelliCarve machine

13" & 15" CNC IntelliCarver SAFETY ENCLOSURE PARTS



NO.	PART NO.	DESCRIPTION	QTY
1	923420-000	Side Panel	2
2	923415-000	Door	2
4	000801-101	Button Head Screw	M6*1.0P*10 12
5	008603-100	Square Nut	M6*1.0P 4
6	006001-115	Flat Washer	6.2*13*1.5t 8
7	172936-000	Fixing Plate	4
8	310358-909	Brace	4
9	023321-000	Wire Clip	AAC-0809 4
10	000102-106	CAP Screw	M5*0.8P*20 2
11	173343-000	Hook <i>(For 15" Carver Only)</i>	1
12	000303-103	Round Head Phillips Screw <i>(For 15" Carver Only)</i>	M5*0.8P*10 1
13	310362-909	Controler Holder <i>(For 15" Carver Only)</i>	1
14	950563-000	Switch Box Assembly	1
15	040004-000	Allen Key	4mm 1