



CT120 & CT121 – PORTABLE DOWNDRAFT TABLES



COPYRIGHT © 2006 BY CRAFTEX INDUSTRIES INC.

NO PORTION OF THIS MANUAL MAY BE REPRODUCED WITHOUT
THE WRITTEN CONSENT OF CRAFTEX INDUSTRIES INC.



CT120 & CT121 Portable Down Draft Table

INDEX

General Safety Instructions	Page 3
Specifications For CT120 & CT121	Page 4
Unpacking & Checking Contents (CT120)	Page 5
Unpacking & Checking Contents (CT121)	Page 6
Assembly Instructions	Page 7 Page 8
Exploded Diagram CT120	Page 9
Exploded Diagram CT121	Page 10
Warranty Information	Page 11

GENERAL SAFETY INSTRUCTIONS

EXTREME CAUTION SHOULD BE USED IN OPERATING ALL POWER TOOLS. KNOW YOUR POWER TOOL, BE FAMILIAR WITH ITS OPERATION. READ THE OWNER'S MANUAL AND PRACTICE SAFE USAGE PROCEDURES AT ALL TIMES.

- ❑ **CONNECT** your machine **ONLY** to the matched and specified power source.
- ❑ **WEAR SAFETY GLASSES, RESPIRATORS, HEARING PROTECTION** and **SAFETY SHOES** when operating heavy machinery. **Always wear safety glasses.**
- ❑ **DO NOT** wear loose clothing or jewellery when operating machinery.
- ❑ **A Safe Environment is important.** Keep the area free of dust, dirt and other debris in the immediate vicinity of the machine.
- ❑ **BE ALERT!** Do Not Use prescription or other drugs that may affect your ability or judgement to safely use this machine.
- ❑ **DISCONNECT** the power source when changing tool bits and or any equipment.
- ❑ **NEVER** leave an operating tool unattended.
- ❑ **ALWAYS** keep blades, knives or bits sharp and properly aligned.
- ❑ **ALWAYS** keep all safety guards in place and ensure their proper function.
- ❑ **ALWAYS** make sure that any tools used for adjustments are removed before operating the machine.
- ❑ **ALWAYS** secure your work with the appropriate clamps or vices.
- ❑ **ALWAYS** keep bystanders safely away while operating machinery.
- ❑ **THINK SAFETY. WORK SAFELY.** Never attempt a procedure if it does not feel safe or comfortable.

CT120 & CT121 Portable Downdraft Table

As part of the growing line of Craftex Woodworking equipment, we are proud to add these two Portable Downdraft Tables. The Craftex name guarantees Craftex Excellence and by following the instructions laid out in this manual, you will receive years of excellent service and satisfaction.

Specifications for The CT120

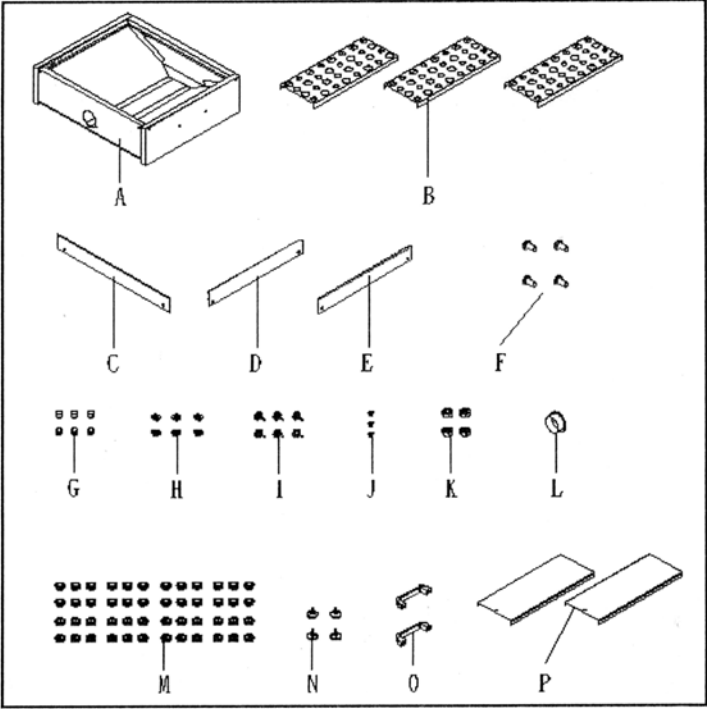
Dust Port	2 ½"
Overall Dimensions	25 ½" x 20 ½" x 9 ½"
Gross Weight	22 lbs. (10KGS)

Specifications for the CT121

Dust Port	4"
Overall Dimensions	39 ½" x 20 ½" x 9 ½"
Gross Weight	27 lbs. (12.5KGS)

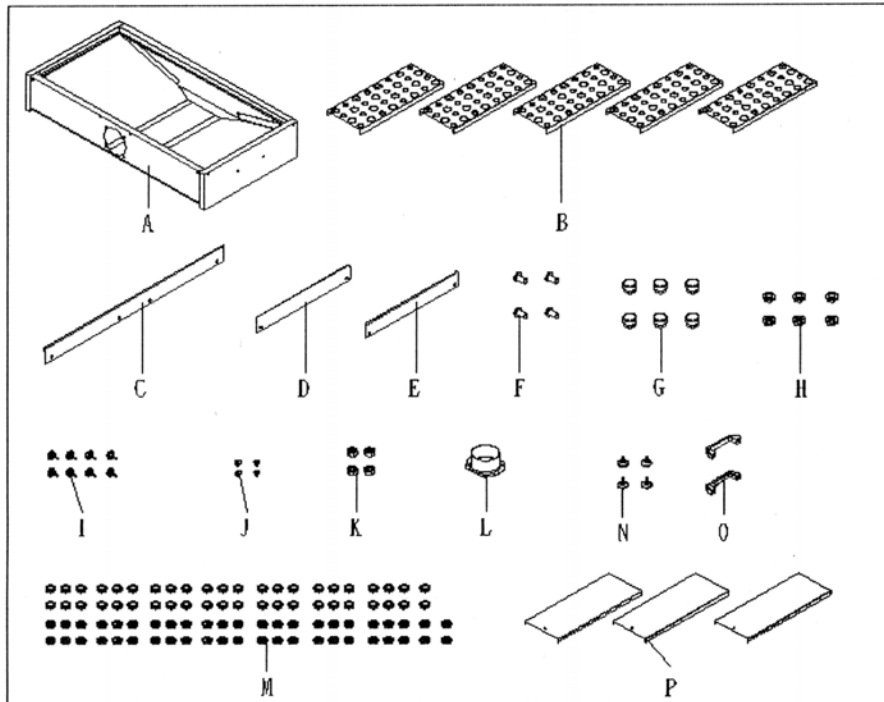
WARNING: Please read this manual carefully before assembly, testing and operating. **DO NOT operate this unit until hose or pipe is installed onto the dust port and connected to a dust collector.**

UNPACKING & CHECKING CONTENTS: CT120



- | | | |
|------------------------------------|-------------------------------------|-------------|
| A. Base | G. Stopper Bolt | M. Rubber |
| B. Collecting Board | H. Stopper Nut M20 | N. Foot Pad |
| C. Rear Cover Board | I. Lock Knob 1/4" x 3/8" | O. Handle |
| D. Right Cover Board | J. Phillips Head Screw 3/16" x 1/4" | P. Cover |
| E. Left Cover Board | K. Nut 1/4" | |
| F. Phillips Head Screw 1/4" x 1/2" | L. Dust Port | |

UNPACKING & CHECKING CONTENTS: CT121



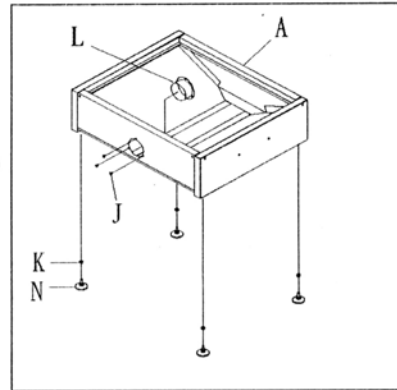
- | | | |
|------------------------------------|-------------------------------------|-------------|
| A. Base | G. Stopper Bolt | M. Rubber |
| B. Collecting Board | H. Stopper Nut M20 | N. Foot Pad |
| C. Rear Cover Board | I. Lock Knob 1/4" x 3/8" | O. Handle |
| D. Right Cover Board | J. Phillips Head Screw 3/16" x 1/4" | P. Cover |
| E. Left Cover Board | K. Nut 1/4" | |
| F. Phillips Head Screw 1/4" x 1/2" | L. Dust Port | |

ASSEMBLY INSTRUCTION

Step 1

Take the base (A) and foot pad (N) nut $\frac{1}{4}$ " (K) out of the box. Place the nut $\frac{1}{4}$ " (K) on the foot pad (N) first, then tighten the foot pad (N) on the bottom of the base (A). Next place the dust port (L) on the rear of the base (A) and tighten with phillips head screws $\frac{3}{16}$ " x $\frac{1}{4}$ " (J).

See Fig. 1.



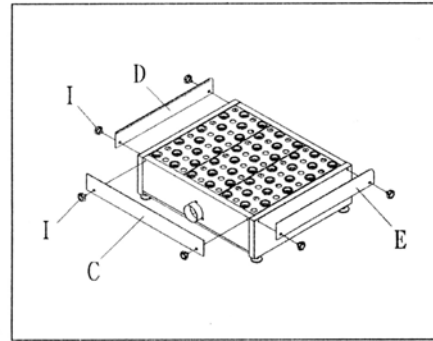
(FIG.1)

Step 2

Tighten the left cover board (E), and right cover board (D), and the rear cover board © on the three side of the base with lock knob $\frac{1}{4}$ " x $\frac{3}{8}$ " (I)

See Fig. 2.

Warning: Do not operate this unit until the hose or pipe is installed onto the dust port

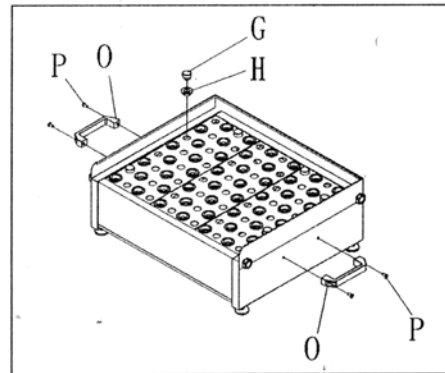


(FIG.2)

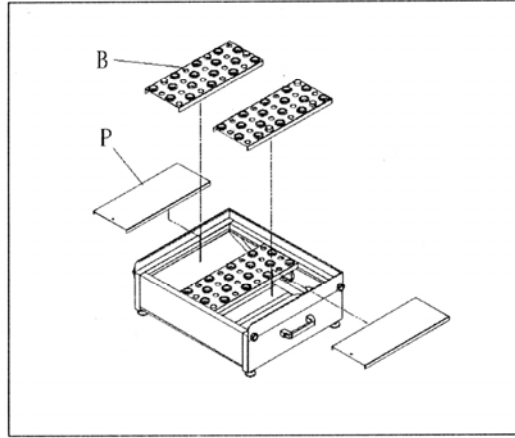
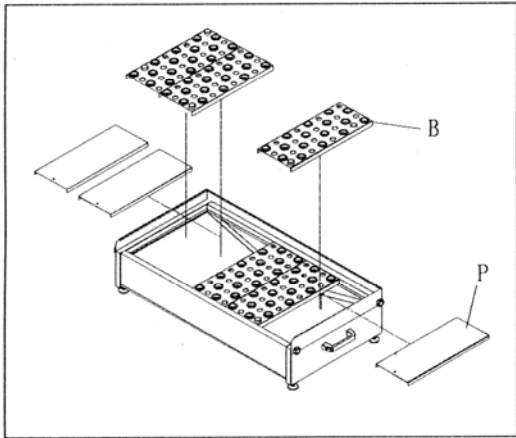
Step 3

Tighten the handle (O) on both sides of the base with phillips head screw $\frac{1}{4}$ " x $\frac{1}{2}$ " (P). Measure and place the stopper bolts (G) and the stopper Nuts (H) on the collecting board (B). All the assembly steps are completed.

See Fig. 3.

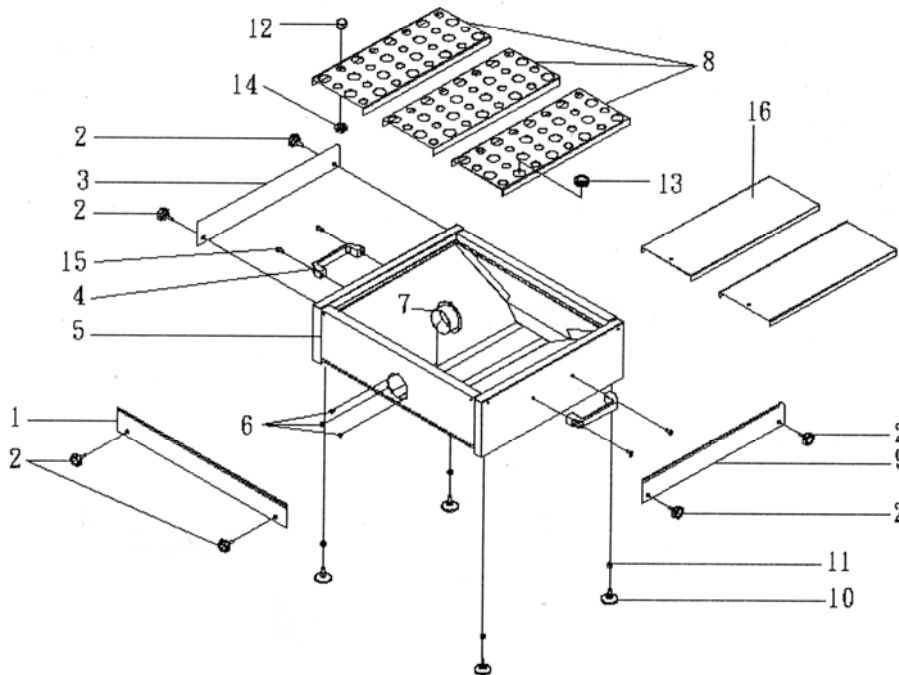


(FIG.3)



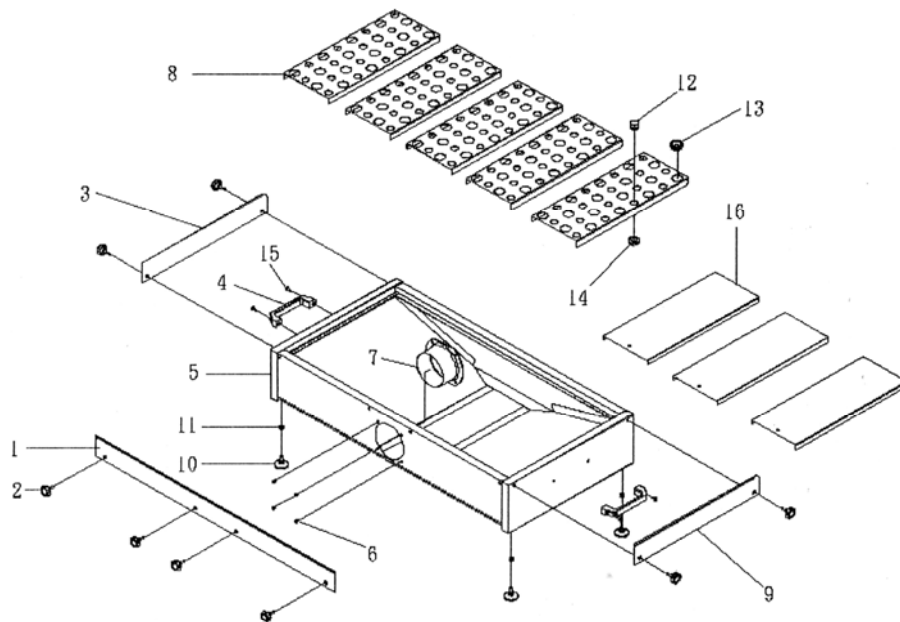
EXPLODED DIAGRAM: CT120

Ref No.	Description	Specification	Quantity
1	Rear Cover Board		1
2	Lock Knob	1/4"*3/8"	6
3	Right Cover Board		1
4	Handle		2
5	Base		1
6	Phillips Head Screw	3/16"*1/4"	3
7	Dust Port		1
8	Collecting Board		3
9	Left Cover Board		1
10	Foot Pad		4
11	Nut	1/4"	4
12	Stopper Bolt		6
13	Rubber		48
14	Stopper Nut	M20	6
15	Phillips Head Screw	1/4"*1/2"	4
16	Cover		2



EXPLODED DIAGRAM: CT121

Ref No.	Description	Specification	Quantity
1	Rear Cover Board		1
2	Lock Knob	1/4"*3/8"	8
3	Right Cover Board		1
4	Handle		2
5	Base		1
6	Phillips Head Screw	3/16"*1/4"	4
7	Dust Port		1
8	Collecting Board		5
9	Left Cover Board		1
10	Foot Pad		4
11	Nut	1/4"	4
12	Stopper Bolt		6
13	Rubber		80
14	Stopper Nut	M20	6
15	Phillips Head Screw	1/4"*1/2"	4
16	Cover		3





CRAFTEX 3 YEAR LIMITED WARRANTY

Craftex warrants every product to be free from defects in materials and agrees to correct such defects where applicable. This warranty covers **two years** for parts and 90 days for labour (unless specified otherwise), to the original purchaser from the date of purchase but does not apply to malfunctions arising directly or indirectly from misuse, abuse, improper installation or assembly, negligence, accidents, repairs or alterations or lack of maintenance.

Proof of purchase is necessary.

All warranty claims are subject to inspection of such products or part thereof and we reserve the right to inspect the returned item before a replacement, repair or a refund is issued (which is done at our discretion). This warranty shall not apply to consumable products such as blades, bits, belts, cutters, chisels, punches etceteras.

Craftex shall in no event be liable for injuries, accidental or otherwise, death to persons or damage to property or for incidental contingent, special or consequential damages arising from the use of our products.

RETURNS, REPAIRS AND REPLACEMENTS

To return, repair, or replace a Craftex product, you must visit the appropriate Busy Bee Tools showroom or call 1-800-461-BUSY. Craftex is a brand of equipment that is exclusive to Busy Bee Tools.

For replacement parts directly from Busy Bee Tools, for this machine, please call 1-800-461-BUSY (2879), and have your credit card and part number handy.

- All returned merchandise will be subject to a minimum charge of 15% for re-stocking and handling with the following qualifications.
- Returns must be pre-authorized by us in writing.
- We do not accept *collect* shipments.
- Items returned for warranty purposes must be insured and shipped pre-paid to the nearest warehouse
- Returns must be accompanied with a copy of your original invoice as proof of purchase. Returns must be in an unused condition and shipped in their original packaging a letter explaining your reason for the return. Incurred shipping and handling charges are not refundable.
- Busy Bee will repair or replace the item at our discretion and subject to our inspection.
- Repaired or replaced items will be returned to you pre-paid by our choice of carriers.
- Busy Bee reserves the right to refuse reimbursement or repairs or replacement if a third party without our prior authorization has carried out repairs to the item.
- Repairs made by Busy Bee are warranted for 30 days on parts and labour.
- Any unforeseen repair charges will be reported to you for acceptance prior to making the repairs.
- The Busy Bee Parts & Service Departments are fully equipped to do repairs on all products purchased from us with the exception of some products that require the return to their authorized repair depots. A Busy Bee representative will provide you with the necessary information to have this done.
- For faster service it is advisable to contact the nearest Busy Bee location for parts availability prior to bringing your product in for repairs.

