



**CX205EXT / CX206EXT
WOOD EXTENSION TABLE FOR
CX205 / CX206
Assembly Instructions**



COPYRIGHT © 2010 BY CRAFTEX INDUSTRIES INC. NO PORTION OF THIS MANUAL MAY BE PRODUCED WITHOUT THE WRITTEN CONSENT OF CRAFTEX INDUSTRIES INC.



GENERAL SAFETY INSTRUCTIONS FOR MACHINES

Extreme caution should be used when operating all power tools. Know your power tool, be familiar with its operation, read through the user manual and practice safe usage procedures at all times.

- ❖ **ALWAYS** read and understand the user manual before operating the machine.
- ❖ **CONNECT** your machine ONLY to the matched and specific power source.
- ❖ **ALWAYS** wear safety glasses respirators, hearing protection and safety shoes, when operating your machine.
- ❖ **DO NOT** wear loose clothing or jewelry when operating your machine.
- ❖ **A SAFE ENVIRONMENT** is important. Keep the area free of dust, dirt and other debris in the immediate vicinity of your machine.
- ❖ **BE ALERT! DO NOT** use prescription or other drugs that may affect your ability or judgment to safely use your machine.
- ❖ **DISCONNECT** the power source when changing drill bits, hollow chisels, router bits, shaper heads, blades, knives or making other adjustments or repairs.
- ❖ **NEVER** leave a tool unattended while it is in operation.
- ❖ **NEVER** reach over the table when the tool is in operation.
- ❖ **ALWAYS** keep blades, knives and bits sharpened and properly aligned.
- ❖ **ALL OPERATIONS MUST BE** performed with the guards in place to ensure safety.
- ❖ **ALWAYS** use push sticks and feather boards to safely feed your work through the machine and clamp the work-piece (when necessary) to prevent the work-piece from any unexpected movement.
- ❖ **ALWAYS** make sure that any tools used for adjustments are removed before operating the machine.
- ❖ **ALWAYS** keep the bystanders safely away while the machine is in operation.
- ❖ **NEVER** attempt to remove jammed cutoff pieces until the saw blade has come to a full stop.

UNPACKING

The extension table is properly packaged and shipped completely in a crate for safe transportation. When unpacking, carefully inspect the crates and ensure that nothing has been damaged during transit. Open the crates and check that the extension table and the parts are in good condition.

WARNING

Before assembling the extension table on your table saw, make sure the switch is in the "OFF" position and the power cord is disconnected from the power source. Failure to do so may cause serious personal injury or death.

CONTENTS

QTY

Wood Extension Table.....	1
Legs.....	2
Connecting Bracket.....	1
Feet.....	2
Hardware Bag.....	1

ASSEMBLY

When installing the extension table on your CX205/CX206 table saw, remove the fence and remove the guide rail tube (if already installed).

Attach the one 8mm hex nut and foot to each leg.

Position the extension table between the table saw's front and rear rails with the holes on the extension table aligned with the ones on the rails. Get the help of a friend holding the extension table and

secure the extension table to the front rail using three 8 x 35mm flat head screws.

Secure the extension table to the rear rail:

✦ **FOR CX206** using an 8 x 50mm hex bolt and spacer.

✦ **FOR CX205** using an 8 x 35mm hex head bolt without any spacers.

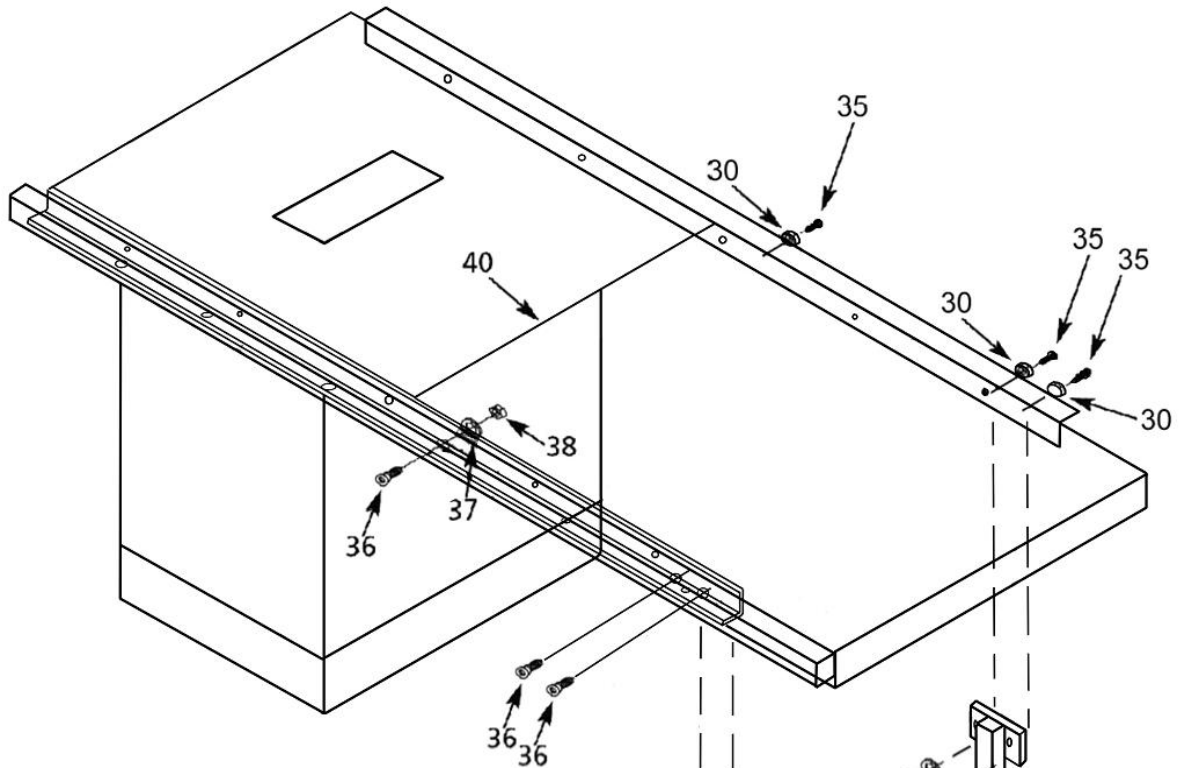
Attach the legs to the end of the front and rear rails using screws, flat washers and nuts provided. Do not tighten the screws at this time.

Place a straight-edge on the main table and the extension table and adjust the feet supports on the floor. Once the table surface is level with the extension table surface, tighten the nuts securing the legs to the rails.

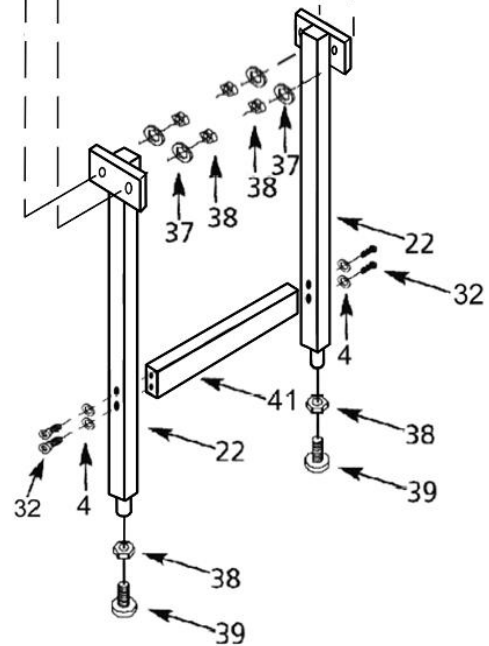
Connect the two legs using the connecting bracket and secure it using screws and washers provided.

Place the guide rail tube on the front rail and secure it using the six hex bolts removed.

PARTS BREAKDOWN & PARTS LIST



REF#	DESCRIPTION
4	8mm Lock Washer
22	Leg
30	Spacer (Used for CX-206 only)
32	8X35mm Hex head bolt
35	8X35mm Hex head bolt(CX205)
35	8X50mm Hex head bolt(CX206)
36	8x35mm Flat Head Screw
37	8mm Flat washer
38	8x1.25mm Hex Nut
39	Foot
40	Extension table
41	Legs connecting Rod





WARRANTY

CRAFTEX 3 YEARS LIMITED WARRANTY

Craftex warrants every product to be free from defects in materials and agrees to correct such defects where applicable. This warranty covers **three years** for parts and 90 days for labour (unless specified otherwise), to the original purchaser from the date of purchase but does not apply to malfunctions arising directly or indirectly from misuse, abuse, improper installation or assembly, negligence, accidents, repairs or alterations or lack of maintenance.

Proof of purchase is necessary.

All warranty claims are subject to inspection of such products or part thereof and Craftex reserves the right to inspect any returned item before a refund or replacement may be issued.

This warranty shall not apply to consumable products such as blades, bits, belts, cutters, chisels, punches etceteras.

Craftex shall in no event be liable for injuries, accidental or otherwise, death to persons or damage to property or for incidental contingent, special or consequential damages arising from the use of our products.

RETURNS, REPAIRS AND REPLACEMENTS

To return, repair, or replace a Craftex product, you must visit the appropriate Busy Bee Tools showroom or call 1-800-461-BUSY. Craftex is a brand of equipment that is exclusive to Busy Bee Tools.

For replacement parts directly from Busy Bee Tools, for this machine, please call 1-800-461-BUSY (2879), and have your credit card and part number handy.

- All returned merchandise will be subject to a minimum charge of 15% for re-stocking and handling with the following qualifications.
- Returns must be pre-authorized by us in writing.
- We do not accept *collect* shipments.
- Items returned for warranty purposes must be insured and shipped pre-paid to the nearest warehouse
- Returns must be accompanied with a copy of your original invoice as proof of purchase. Returns must be in an un-used condition and shipped in their original packaging a letter explaining your reason for the return. Incurred shipping and handling charges are not refundable.
- Busy Bee will repair or replace the item at our discretion and subject to our inspection.
- Repaired or replaced items will be returned to you pre-paid by our choice of carriers.
- Busy Bee reserves the right to refuse reimbursement or repairs or replacement if a third party without our prior authorization has carried out repairs to the item.
- Repairs made by Busy Bee are warranted for 30 days on parts and labour.
- Any unforeseen repair charges will be reported to you for acceptance prior to making the repairs.
- The Busy Bee Parts & Service Departments are fully equipped to do repairs on all products purchased from us with the exception of some products that require the return to their authorized repair depots. A Busy Bee representative will provide you with the necessary information to have this done.
- For faster service it is advisable to contact the nearest Busy Bee location for parts availability prior to bringing your product in for repairs.