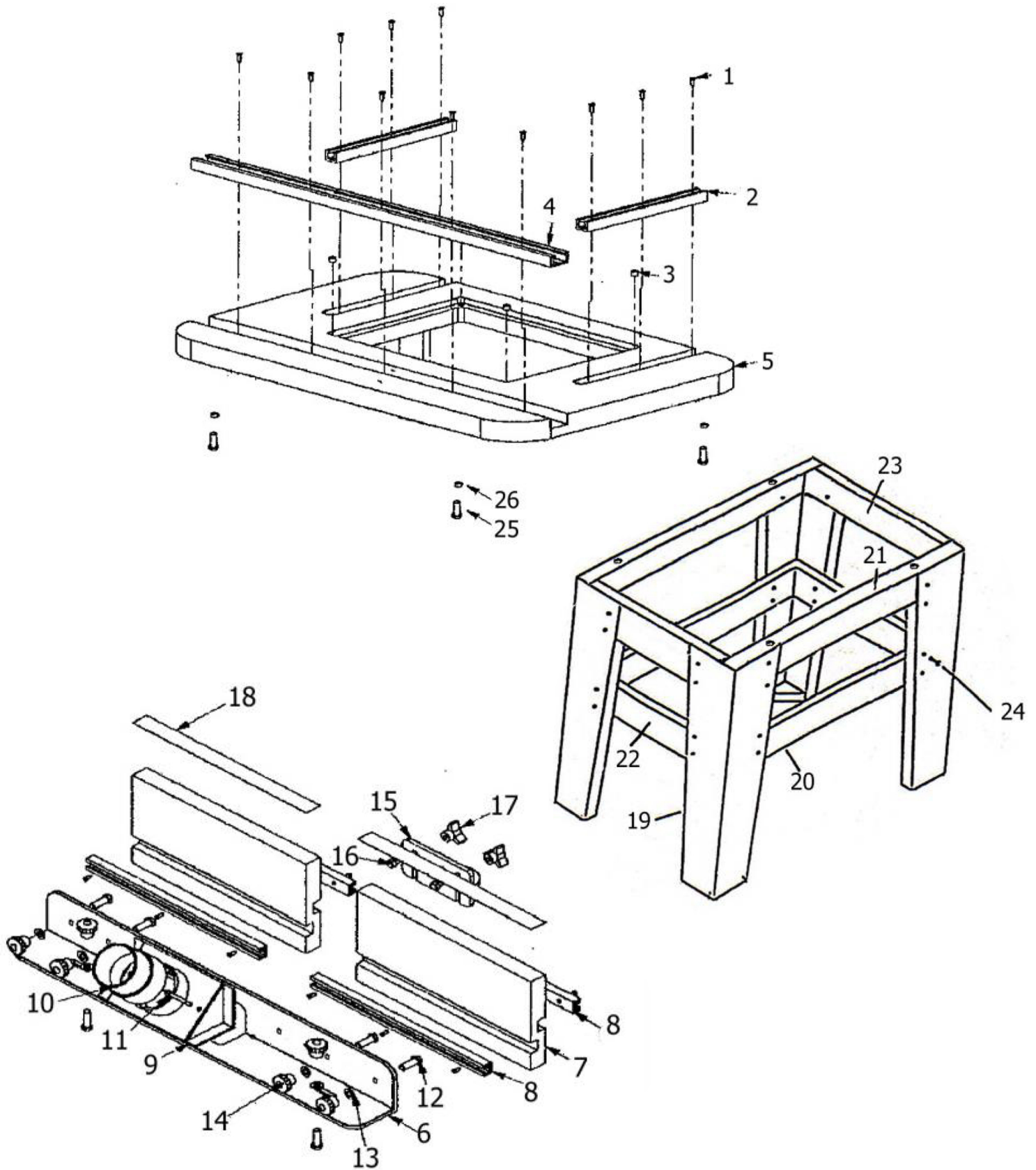


Diagram For B2944BT



Parts List For B2994BT Bench Top Router Table

Part #	Description	Quantity
1	#5 Self Tapping Screws	23
2	6-5/8" Aluminum T-Track	2
3	8mm diameter Magnets	4
4	24" Aluminum Miter T-Track	1
5	24" x 16" Router Table Top	1
6	L-Aluminum Fence Support	1
7	12" Melamine Laminated Fences	2
8	12" Aluminum T-Track	4
9	Dust Port	1
10	2-1/4" Dust Port Adapter	1
11	M5 x 0.8 x 55mm Cross Head Machine Screw	2
12	8mm x 1.25 x 25mm Hex Bolt	6
13	8mm Flat Washer	6
14	8mm Threaded Knob	6
15	Bit Guard	1
16	6mm Threaded Knob	2
17	6mm x 1.0 x 25mm Hex Bolt	2
18	Self Stick Measuring Tape	2
19	Stand Leg	4
20	Lower Front/Back Stand Leg Braces	2
21	Upper Front/Back Stand Leg Braces	2
22	Lower Side Stand Leg Braces	2
23	Upper Side Stand Leg Brace	2
24	8mm x 1.25 x 12mm Carriage Bolt, Flat Washer & Hex Nut	32
25	6mm x 1.0 x 16mm Hex Bolt	4
26	6mm Flat Washer	4