



# Busy Bee Tools

## Mobile Wheel Kit for 14" Bandsaw

BBPBMB14



User's Manual



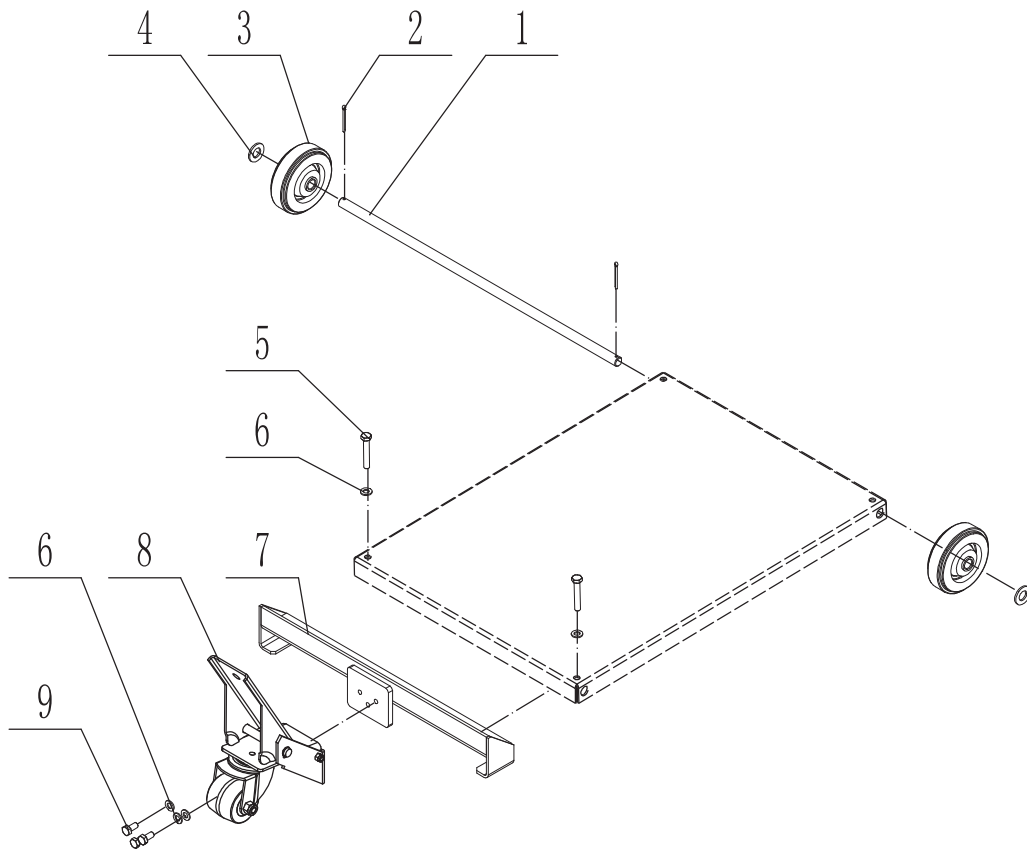
COPYRIGHT © 2024 BY BUSY BEE TOOLS LTD.

NO PORTION OF THIS MANUAL MAY  
BE REPRODUCED WITHOUT THE WRITTEN  
CONSENT OF BUSY BEE TOOLS LTD.



v1.0

# BANDSAW MOBILITY KIT ASSEMBLY DIAGRAM



NO.	Description	Q'ty
1	Tow axle	1
2	Open pin 3X35	2
3	Tow wheel	2
4	Flat washer M14	2
5	Hex screw M8X50	2
6	Flat washer M8	5
7	Movable holder	1
8	Pedal assy	1
9	Hex screw M8X12	3