



# Busy Bee Tools

## Mobile Wheel Kit for 18" Bandsaw

### BBPBMB18



## User's Manual

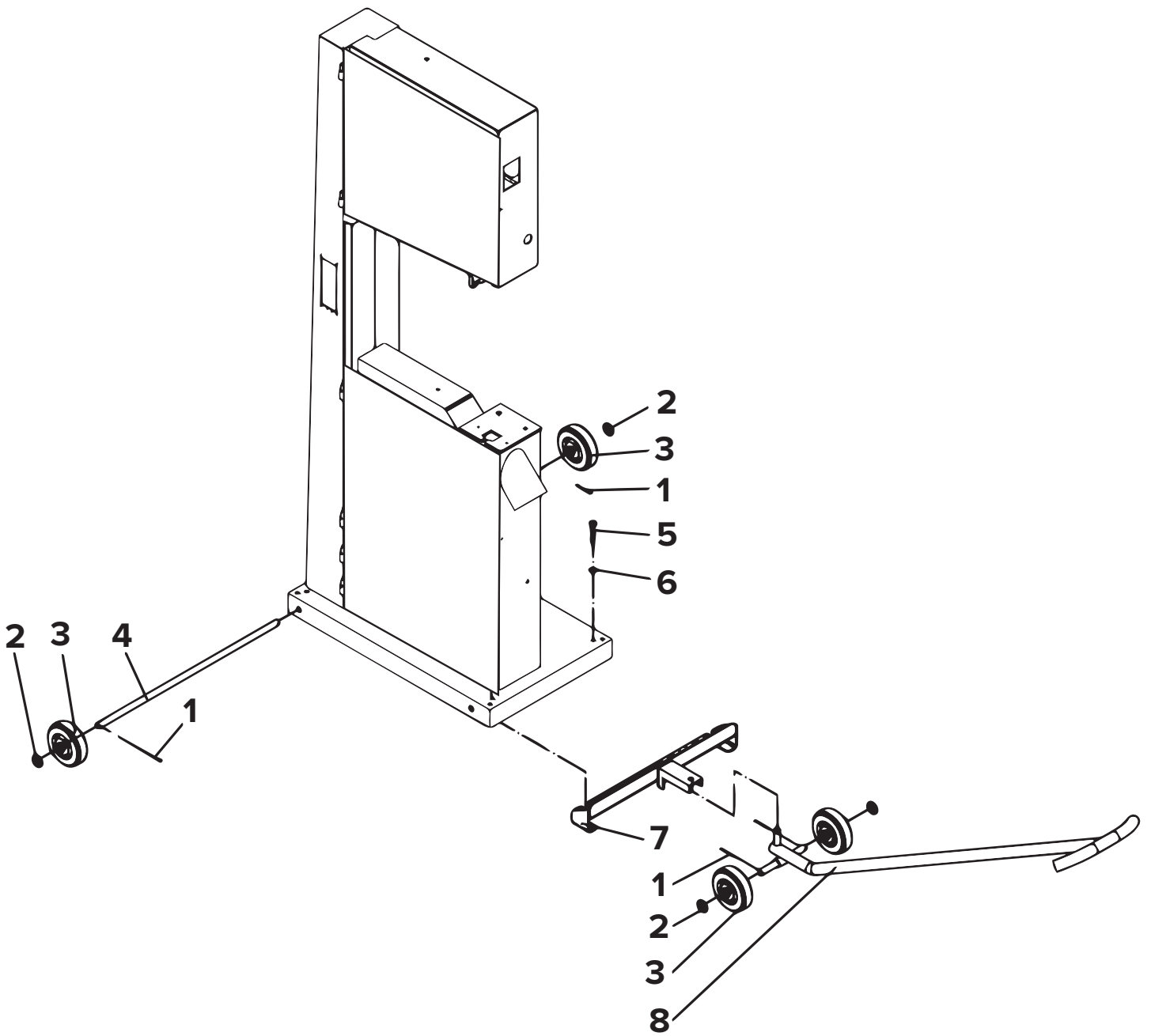


COPYRIGHT © 2024 BY BUSY BEE TOOLS LTD.

NO PORTION OF THIS MANUAL MAY  
BE REPRODUCED WITHOUT THE WRITTEN  
CONSENT OF BUSY BEE TOOLS LTD.



v1.0



NO.	Description	Q'ty
1	Pin Roll 3x35	2
2	Flat Washer	4
3	Caster	4
4	Shaft	1
5	Hex Bolt	2
6	Flat Washer	4
7	Bracket	1
8	Handle	1