



# MODEL CX425

## 3 SPEED AIR CLEANER WITH REMOTE CONTROL

### USER MANUAL



Version 1.0

# TABLE OF CONTENTS

Electrical Safety .....	3
Tool Use and Care.....	4
Grounding.....	5
Extension Cords .....	6
Manual Control Operation.....	7
Trouble Shooting .....	9
Wiring Diagram.....	10
Part List .....	11
Warranty.....	13

**WARNING!****READ AND UNDERSTAND ALL INSTRUCTIONS**

Failure to follow all instructions listed below may result in electric shock, fire, and/or serious injury. SAVE THESE INSTRUCTIONS IN THE WORK AREA

1. Keep your work area clean and well lit. Cluttered benches and dark areas invite accidents.

2. Do not operate electric products in explosive atmospheres, such as in the presence of flammable liquids, gases, or dust.

3. Keep bystanders, children, and visitors away while mounting or maintaining the air cleaner.

**ELECTRICAL SAFETY**

1. Grounded products must be plugged into an outlet properly installed and grounded in accordance with all codes and ordinances. Never remove the grounding prong or modify the plug in any way. Do not use any adapter plugs. Check with a qualified electrician if you are in doubt as to whether the outlet is properly grounded. If the product should be electrically malfunction the grounding provides a low resistance path to carry electricity away from the user.

2. Double insulated products are equipped with a polarized plug (one blade is wider than the other). This plug will fit in a polarized outlet only one way. If the plug does not fit fully in the outlet, reverse the plug. If it still does not fit, contact a qualified electrician to install a polarized outlet. Do not change the plug in any way. Double insulation eliminates the need for

the three wire grounded power cord and grounded power supply system.

3. Avoid body contact with grounded surfaces such as pipes, radiators, ranges, and refrigerators. There is an increased risk of electric shock if your body is grounded.

4. Do not expose this product to rain or wet conditions. Water entering an electric product will increase the risk of electric shock.

5. Do not abuse the Power Cord. Never use the Power Cord to carry the product or pull the Plug from an outlet. Keep the Power Cord away from heat, oil, sharp edges, or moving parts. Replace damaged Power Cords immediately. Damaged Power Cords increase the risk of electric shock.

6. Stay alert. Watch what you are doing, and use common sense when operating a power product. Do not use a power product while tired or under the influence of drugs, alcohol, or medication.

7. Dress properly. Do not wear loose clothing or jewelry. Contain long hair. Keep your hair clothing, and gloves away from moving parts. Loose clothes, jewelry, or long hair can get caught in moving parts.

8. Avoid accidental starting. Be sure the Power Switch is off before plugging in.

9. Use safety equipment. Always wear eye protection. During installation use non-skid safety shoes and ANSI approved safety goggles.

## **TOOL USE AND CARE**

1. Use the correct product for your application. The correct product will do the job better and safer at the rate for which it is designed.

2. Do not use the power product if the Power Switch does not turn it on or off. Any product that cannot be controlled with the Power Switch is dangerous and the switch must be replaced.

3. Disconnect the Power Cord Plug from the power source before storing the tool.

4. Store idle products out of reach of children and other untrained persons. Products are dangerous in the hands of untrained users.

5. Maintain products with care. Keep products clean. Do not use a damaged product.

6. Check for misalignment or binding of moving parts, breakage of parts, and any other condition that may affect the operation. If damaged, have it serviced before using. Many accidents are caused by poorly maintained products.

## **TOOL USE AND CARE**

1. Product service must be performed only by qualified repair personnel. Service or maintenance performed by unqualified personnel could result in a risk of injury and void the warranty.

2. When servicing a product, use only identical replacement parts. Follow instructions in the

“Inspection, Maintenance, And Cleaning” section of this manual. Use of unauthorized parts or failure to follow maintenance instructions may create a risk of electric shock or injury.

## **SPECIFIC SAFETY RULES**

1. Maintain labels and nameplates on the Air Cleaner System. These carry important information. If unreadable or missing, contact the seller for a replacement.

2. Always wear safety impact eye goggles when mounting or performing maintenance on the Air Cleaner System. Using personal safety devices reduce the risk for injury.

3. Maintain a safe working environment. Keep the work area well lit. Make sure there is adequate surrounding workspace. Always keep the work area free of obstructions, grease, oil, trash, and other debris. Do not use in areas near flammable chemicals, dust, and vapors. Do not use in a damp or wet location.

4. If placing this AIR CLEANER on a table or shelf, make sure that the machine is placed securely on a flat, level surface, capable of supporting the weight of the machine.

5. If attaching the Air Filtration System to a ceiling, make sure the machine is attached securely to joists capable of supporting the weight of the machine.

6. Make sure the Switch is in the “Off” position before plugging in the power cord.

7. Keep the Pre Filter (Part 1) and the Filter Bag (Part 2) clean, in place, and in good working order.

8. Always unplug the AIR CLEANER from its electrical outlet before performing any inspection, maintenance, or cleaning procedures.

9. **WARNING!** People with pacemakers should consult their physician(s) before using this product. Operation of electrical equipment in close proximity to a heart pacemaker could cause interference or failure of the pacemaker.

### SPECIFICATIONS

#### Motor:

Motor Power Input..... 1/6HP  
Voltage..... 120V 60HZ  
Motor Speed..... 1200/1400/1700 RPM  
Remote Control.....Infrared remote control  
Timer Setting..... Yes

#### Performance:

Filter Efficiency.....G4+F6  
Pre Filter.....G4 (5-micron)  
Filter Bag.....F6 (1-micron)  
Air Flow.....400/450/500 CFM

#### Dimensions:

Overall Dimensions.....525x435x275  
Carton Dimensions.....575x495x320

### GROUNDING

#### **WARNING!**

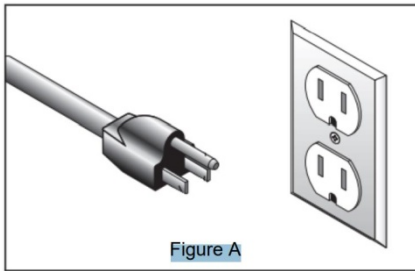
Improperly connecting the grounding wire can result in the risk of electric shock. Check with a qualified electrician if you are in doubt as to whether the outlet is properly grounded. Do not modify the power cord plug provided with the product. Never remove the grounding prong from the plug. Do not use the product if the power cord or plug is damaged. If damaged, have it repaired by a service facility before use. If the plug will not fit the outlet, have a proper outlet installed by a qualified electrician.

#### **GROUNDED PRODUCT: PRODUCTS WITH THREE PRONG PLUGS**

1. Products marked with “Grounding as required” have a three wire cord and three prong grounding plug. The plug must be connected to a properly grounded outlet. If the product should electrically malfunction or break down, grounding provides a path of least resistance to carry electricity away from the user, reducing the risk of electric shock. (See Figure A.)

2. The grounding prong in the plug is connected through the green wire inside the cord to the grounding system in the tool. The green wire in the cord must be the only wire connected to the product’s grounding system and must never

be attached to an electrically “live” terminal.



3. Your product must be plugged into an appropriate outlet, properly installed and grounded in accordance with all codes and ordinances. The plug and outlet should look like those in the following illustration. (See Figure A. above)

#### **EXTENSION CORDS**

1. Grounded tools require a three wire extension cord. Double Insulated tools can use either a two or three wire extension cord.
2. As the distance from the supply outlet increases, you must use a heavier gauge extension cord. Using extension cords with inadequately sized wire causes a serious drop in voltage, resulting in loss of power and possible damage to the machine motor.
3. The smaller the gauge of wire, the greater the capacity of the cord. For example, a 14 gauge cord can carry a higher current than a 16 gauge cord.
4. If you are using one extension cord for more than one product, add the name plate amperes and use the sum to determine the required minimum cord size.
5. If you are using an extension cord outdoors, make sure it is acceptable for outdoor use.

6. Make sure your extension cord is properly wired and in good electrical condition. Always replace a damaged extension cord.

7. Protect your extension cords from sharp objects, excessive heat, and damp or wet areas.

#### **UNPAKING**

When unpacking. Check to make sure all the parts shown on the Parts List are included.

#### **ASSEMBLY AND OPERATING INSTRUCTIONS**

##### **CAUTION:**

Always make sure the Power Cord of the AIR CLEANER is unplugged from its electrical outlet prior to making any adjustments to the product.

1. Locate the desired ceiling location and ceiling joists, upon which to attach the 3-SPEED AIR CLEANER.
2. With assistance or lifting equipment (not included), raise the unit to the desired location. Caution: Make sure other people or pets are well clear of the area during this procedure.
3. Align the four Eye Bolts (30) with the ceiling joists and measure for eyelet bolt location. Insert four eyelet bolts (28) through the ceiling into the underside of the ceiling joists.

## MANUAL CONTROL OPERATION

Note: The fuse is housed on the Switch Plate (20). If the unit suffers a fuse failure, unscrew the fuse cover, remove and replace the fuse (with same type and rating), and screw the cover back in place.

1. Plug the Power Cord (23) into an outlet.
2. Press the “On/Speed” button once for high power, twice for medium, and three times for low power. The corresponding LED will light to show the unit’s speed.
3. When you are finished using the unit, press the off button. (See Figure B)

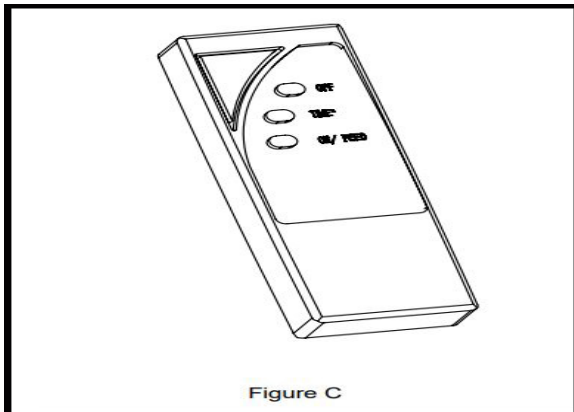


Figure C

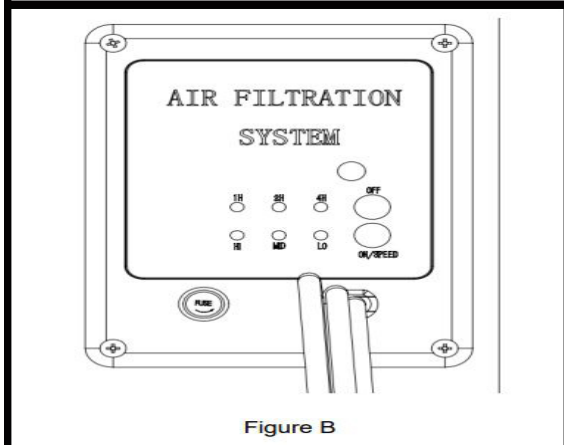


Figure B

## REMOTE CONTROL

1. Press the “On/Speed” button once for low speed, twice for medium, and three times for high speed.
2. Press the Time button once for 1 hour automatic shut off, twice for 2 hour automatic shut off, or three times for 4 hour automatic shut off.
3. To turn off the unit manually, press the OFF button. (Figure C)

Note:

To change batteries in the Remote Control; remove the back panel, replace the two “AAA” batteries, and then replace the back panel.

## INSPECTION, MAINTENANCE, AND CLEANING

1. **WARNING!** Make sure the Switch Plate (20) of the 3-SPEED AIR CLEANER is in its “OFF” position and that the product is unplugged from its electrical outlet before performing any inspection, maintenance, or cleaning procedures.
2. **BEFORE EACH USE**, inspect the general condition of the 3-SPEED AIR CLEANER. Check for loose screws, misalignment or binding of moving parts, cracked or broken parts, damaged electrical wiring, and any other condition that may affect its safe operation. If abnormal noise or vibration occurs, have the problem corrected before further use. Do not use damaged equipment.
3. Periodically, inspect the Pre Filter (1) for dirt and debris, and if necessary, remove and change the Filter Net (1). On the rear of the unit, unlatch the two metal clasps to release the Pre Filter (1). Remove the Filter Net (1) and inspect it to see whether it needs a simple

cleaning, or it needs replacement. Reinsert a Filter Net (1) (old or new) and lock it in place with the two clasps. (See Figure D).

**Note:**

During this procedure, wear ANSI approved safety goggles and dust protection.

4. Periodically, inspect the Bag Filter (2) for dirt and debris, and if necessary, remove and change the Bag Filter (2). On the rear of the unit, unlatch the two metal clasps to release the Pre Filter (1). Remove the Pre Filter (1). Then, remove the Bag Filter (2) and inspect it. If necessary, use compressed air to blow dirt and debris from the Bag Filter (2) Replace the Bag Filter (2) and the Pre Filter (1) in the rear of the unit and lock them in place with the two clasps. (See Figure E).

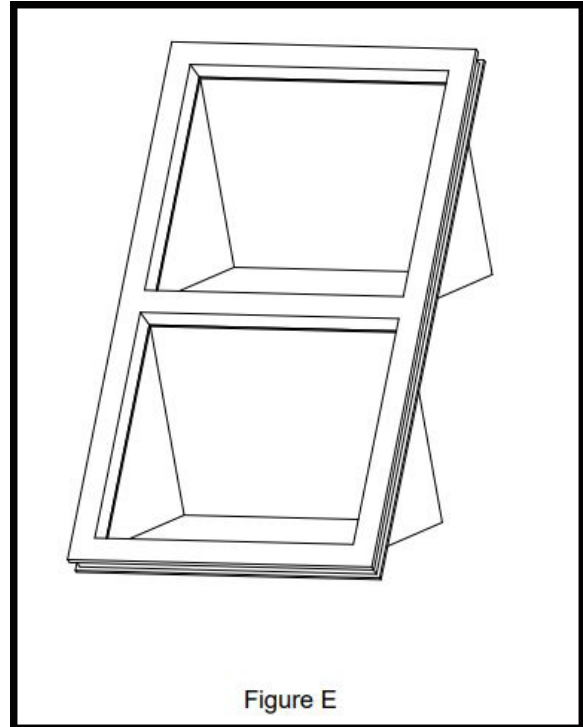


Figure E

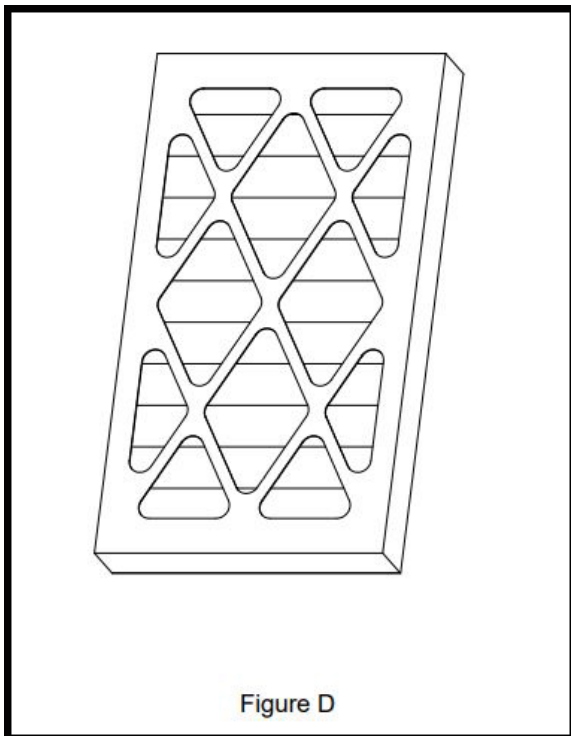


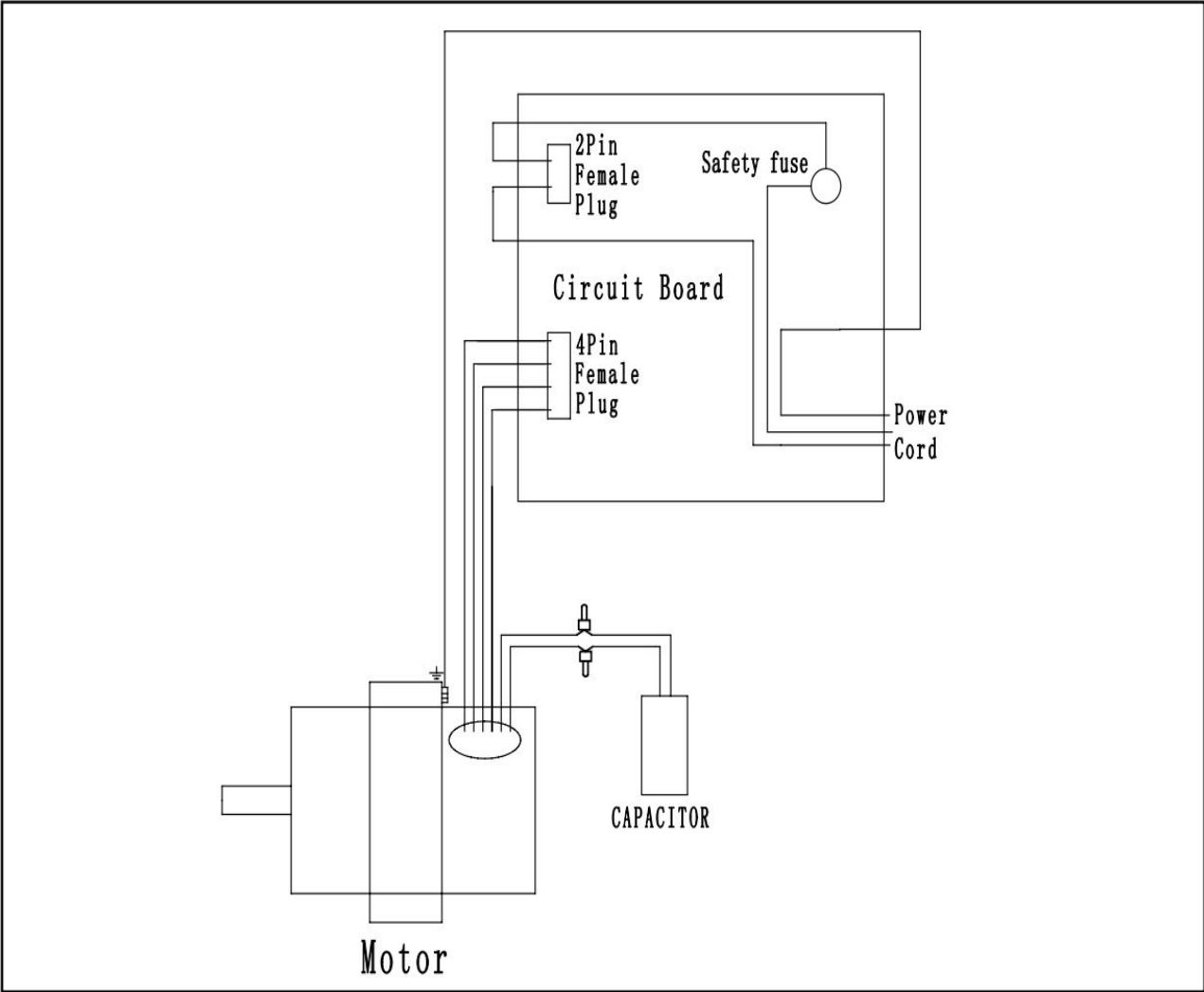
Figure D



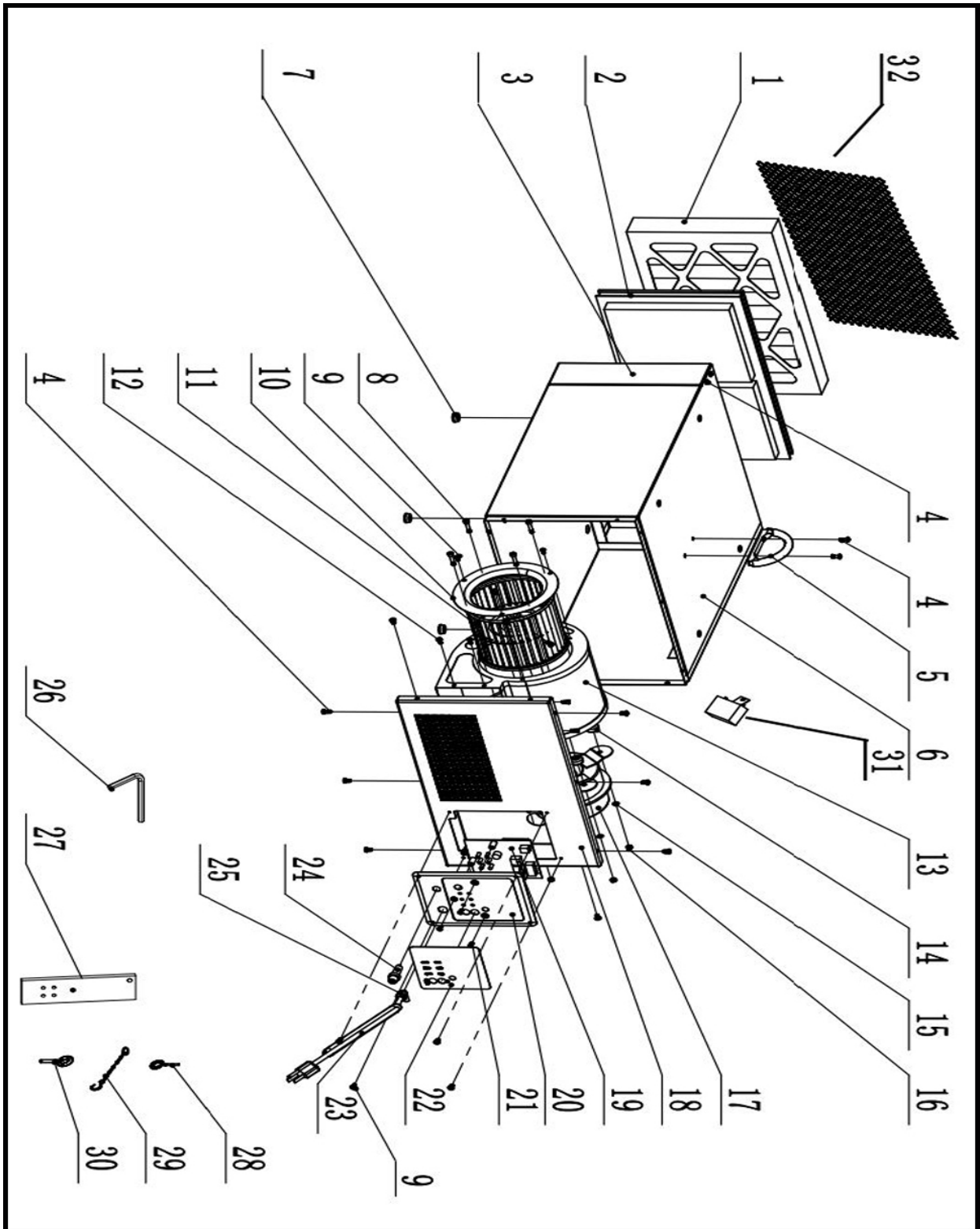
## Trouble Shooting

TROUBLE	PROBABLE CAUSE	SOLUTION
Motor does not run when power is switched on	<ol style="list-style-type: none"> <li>1. Blown fuse</li> <li>2. Switch is burned out</li> <li>3. Wire connection is loose or damaged</li> </ol>	<ol style="list-style-type: none"> <li>1. Replace Fuse</li> <li>2. Replace switch</li> <li>3. Tighten or replace wire</li> </ol>
Motor does not run at full speed	<ol style="list-style-type: none"> <li>1. Power voltage is too low</li> <li>2. Motor is damaged</li> </ol>	<ol style="list-style-type: none"> <li>1. Test Voltage</li> <li>2. Check and replace motor</li> </ol>
Motor overheats	<ol style="list-style-type: none"> <li>1. Using wrong voltage</li> <li>2. Motor is damaged</li> </ol>	<ol style="list-style-type: none"> <li>1. Check Voltage and voltage label</li> <li>2. Check and replace motor</li> </ol>
Insufficient Suction	<ol style="list-style-type: none"> <li>1. Inlet port is blocked</li> <li>2. Filter bag is full</li> <li>3. Outlet port blocked</li> </ol>	<ol style="list-style-type: none"> <li>1. Clean inlet port</li> <li>2. Empty filter bag</li> <li>3. Clean the outlet port or adjust the direction of the outlet</li> </ol>
Motor will not reach full power	<ol style="list-style-type: none"> <li>1. Incorrect power wiring</li> <li>2. Overload tripped</li> </ol>	<ol style="list-style-type: none"> <li>1. Replace or correct power wiring</li> <li>2. Reduce load by cleaning filters as necessary</li> </ol>
Unit is shaking	<ol style="list-style-type: none"> <li>1. Unit is not proper anchored or secured</li> <li>2. Unit is not level</li> <li>3. Worn or damaged motor</li> </ol>	<ol style="list-style-type: none"> <li>1. Mount unit securely in place</li> <li>2. Adjust unit so that it hangs level</li> <li>3. Check and replace motor if necessary</li> </ol>

# Wiring Diagram



# Parts Diagram



## Parts List

Key	Item	Description	QTY
1	PCX42501	PRE FILTER 421 X 241 X 45MM	1
2	PCX42502	BAG FILTER 6 1/2 X 9 1/2"	1
3	PCX42503	PLATE	1
4	PCX42504	SCREW - PH. HD M5-0.8 X 8	14
5	PCX42505	HANDLE	1
6	PCX42506	MAIN BODY	1
7	PCX42507	RUBBER FOOT	4
8	PCX42508	SCREW - HEX SOC HD M5-0.8 X 25	4
9	PCX42509	SCREW - PH HD M4-0.7 X 8	8
10	PCX42510	FLANGE	1
11	PCX42511	FAN	1
12	PCX42512	SCREW - HEX SOC HD M4-0.7 X 8	8
13	PCX42513	FAN HOUSING	1
14	PCX42514	RUBBER SHOCK ABSORBER PAD	4
15	PCX42515	WASHER - FLAT 5MM	4
16	PCX42516	NUT - HEX M5-0.8	4
17	PCX42517	MOTOR	1
18	PCX42518	COVER PLATE	1
19	PCX42519	PC BOARD	1
20	PCX42520	SWITCH PLATE	1
21	PCX42521	SCREW - PH HD M4-0.7 X 20	3
22	PCX42522	SWITCH PLATE LABEL	1
23	PCX42523	POWER CORD	1
24	PCX42524	FUSE 4A 250V 1 1/4"	1
25	PCX42525	STRAIN RELEIF	1
26	PCX42526	HEX WRENCH 3MM	1
27	PCX42527	REMOTE CONTROL	1
28	PCX42528	EYEBOLT M4-0.7 X 40	4
29	PCX42529	STEEL CHAIN	4
30	PCX42530	EYEBOLT M6-1.0 X 40	4
31	PCX42531	CAPACITOR 8MFD 250VAC	1
32	PCX42532	Protective Mesh Screen	1



## Craftex Machinery Warranty

Busy Bee Tools warrants every Craftex machine to be free from defects in materials and agrees to correct such defects where applicable. This warranty covers **two years** for Craftex machines and **three years** for Craftex CX-Series Machines and 90 days for labour (unless specified otherwise), to the original purchaser from the date of purchase but does not apply to malfunctions arising directly or indirectly from misuse, abuse, improper installation or assembly, negligence, accidents, repairs or alterations or lack of maintenance. *Proof of purchase is necessary.*

All warranty claims are subject to inspection of such products or part thereof and Busy Bee Tools reserves the right to inspect and and all items before a refund or replacement may be issued. A Machinery Return Form must be filled out by the original purchaser requesting a return. Authorization may take up to 72 hours for inspection and approval.

This warranty shall not apply to consumable products such as blades, bits, belts, cutters, chisels, punches etc...

Busy Bee Tools shall in no event be liable for injuries, accidental or otherwise, death to persons or damage to property or for incidental contingent, special or consequential damages arising from the use of our products.

### RETURNS, REPAIRS AND REPLACEMENTS

To return, repair, or replace a Craftex Machine, a Machinery Return Form must be filled out by the original purchaser requesting a return. Visit the appropriate Busy Bee Tools showroom or call 1-800-461-BUSY. Craftex is a brand of equipment that is exclusive to Busy Bee Tools.

For replacement parts directly from Busy Bee Tools, for this machine, please call 1-800-461-BUSY (2879), and have your credit card and part number handy. You can find the part number in the back of your owner's manual under the parts list & exploded diagram.

- All returned merchandise will be subject to a minimum charge of 15% for re-stocking and handling
- A Machinery Return Form must be filled out by the original purchaser requesting a return and it must be approved by Busy Bee Tools in writing before accepting a return
- We do not accept *collect* shipments.
- Items returned for warranty purposes must be insured and shipped pre-paid to the nearest warehouse
- Returns must be accompanied with a copy of your original invoice as proof of purchase. Incurred shipping and handling charges are not refundable.
- Busy Bee Tools will repair or replace the item at our discretion and subject to our inspection.
- Repaired or replaced items will be returned to you pre-paid by our choice of carriers.
- Busy Bee Tools reserves the right to refuse reimbursement or repairs or replacement if a third party without our prior authorization has carried out repairs to the item.
- Repairs made by Busy Bee Tools are warranted for 30 days on parts and labour.
- Any unforeseen repair charges will be reported to you for acceptance prior to making the repairs.
- Replacement motors purchased from Busy Bee Tools carry a 90 manufactures defect warranty
- The Busy Bee Tools Parts & Service Departments are fully equipped to do repairs on all products purchased from us with the exception of some products that require the return to their authorized repair depots. A Busy Bee Tools representative will provide you with the necessary information to have this done.