



MODEL CX510
1" x 30" BELT SANDER
USER MANUAL



TABLE OF CONTENTS

General Safety Instructions for Machines	3
Specific Safety Instructions	4
CX510 Features.....	5
Physical Features	6
Proper Grounding	7
Un-Packing	8
Assembly	8
Dust Port.....	9
Removing / Installing Sanding Belt	9
Sanding Belt Tracking Adjustment.....	10
Belt Support Adjustment	11
Table Tilt Adjustment	11
Squaring the Table.....	12
Maintenance	12
Troubleshooting	13
Parts Diagram.....	14
Parts List.....	15
Warranty	16

GENERAL SAFETY INSTRUCTIONS FOR MACHINES

Extreme caution should be used when operating all power tools. Know your power tool, be familiar with its operation, read through the owner's manual and practice safe usage procedures at all times.

- ❖ **ALWAYS** read and understand the user manual before operating the machine.
- ❖ **CONNECT** your machine ONLY to the matched and specific power source.
- ❖ **ALWAYS** wear safety glasses respirators, hearing protection and safety shoes, when operating your machine.
- ❖ **DO NOT** wear loose clothing or jewelry when operating your machine. Wear protective hair covering.
- ❖ **A SAFE ENVIRONMENT** is important. Keep the area free of dust, dirt and other debris in the immediate vicinity of your machine.
- ❖ **BE ALERT! DO NOT** use prescription or other drugs that may affect your ability or judgment to safely use your machine.
- ❖ **DISCONNECT** the power source when changing drill bits, hollow chisels, router bits, shaper heads, blades, knives or making other adjustments or repairs.
- ❖ **NEVER** leave a tool unattended while it is in operation.
- ❖ **NEVER** allow unsupervised or untrained personnel to operate the machine
- ❖ **NEVER** reach over the table when the tool is in operation.
- ❖ **ALWAYS** keep blades, knives and bits sharpened and properly aligned.
- ❖ **ALL OPERATIONS MUST BE** performed with the guards in place to ensure safety.
- ❖ **ALWAYS** use push sticks and feather boards to safely feed your work through the machine.
- ❖ **ALWAYS** make sure that any tools used for adjustments are removed before operating the machine.
- ❖ **ALWAYS** keep bystanders safely away while the machine is in operation.
- ❖ **NEVER** attempt to remove jammed cutoff pieces until the blade has come to a full stop.

CX510 - 1" x 30" BELT SANDER

SPECIFIC SAFETY INSTRUCTIONS

- ⚠ **MAKE SURE** the sander is connected to the matched and specific power source.
- ⚠ **ALL THE GUARDS** must be in place while operating the sander to ensure operator safety.
- ⚠ **MAKE SURE** before making any adjustments, the switch is in the "OFF" position and the cord is un-plugged from the power source.
- ⚠ **NEVER** sand more than one work piece at a time.
- ⚠ **DO NOT** wear loose clothing while operating this sander.
- ⚠ **KEEP YOUR WORK AREA CLEAN.** Cluttered areas and workbenches increase the chance of accidents.
- ⚠ **NEVER LEAVE** the sander unattended while it is running.
- ⚠ **KEEP CHILDREN AWAY.** All visitors should be kept at a safe distance from the work area.
- ⚠ **DO NOT** force the sander. It will do the job better and will be safer at the operating rate for which it is designed.
- ⚠ **ALWAYS** wear a dust mask and safety glasses while operating the sander. The tiny dust particles produced by the sander can cause serious health problems.
- ⚠ **ALWAYS** inspect the work-piece for staples, nails knots or any other foreign material before sanding.
- ⚠ **ALWAYS** operate the sander in a well-ventilated area and use a dust collection system for dust removal whenever possible.
- ⚠ **ALWAYS** hold the work piece firmly when sanding. When not using the table, i.e. sanding free-hand, grip the work piece with both hands.
- ⚠ **USE THE STOP FENCE** when performing horizontal sanding on the belt sander.
- ⚠ **MAINTAIN AND SERVICE** your sander regularly as instructed in this user manual.
- ⚠ **MAKE SURE** you have read and understood all the safety instructions in this manual and that you are familiar with your CX510 sander, before operating. If you fail to do so, serious injury could occur.

WARNING!

The safety instructions given above can not be complete because the environment in every shop is different. Always consider safety first as it applies to your individual working conditions.



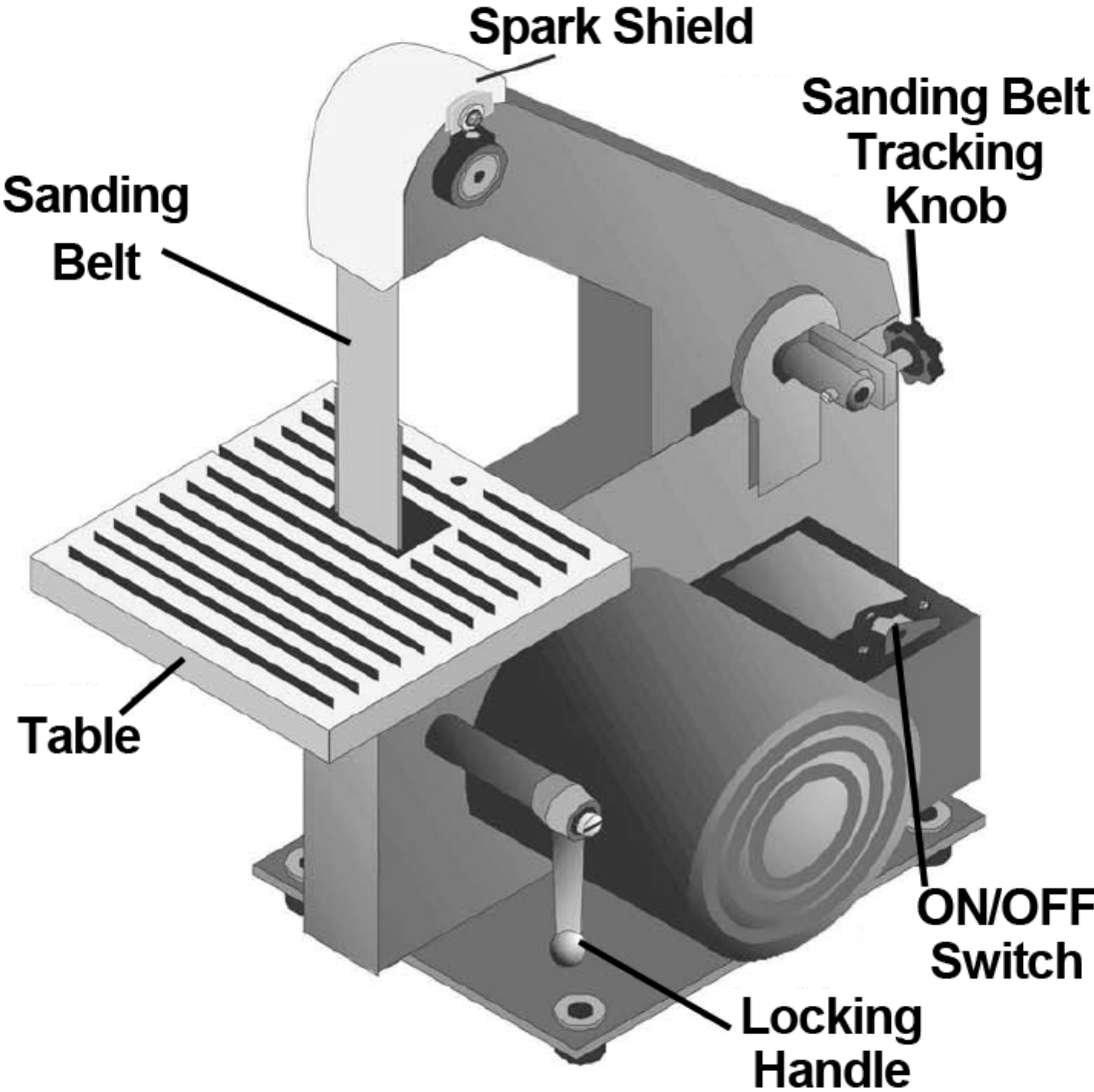
1" x 30" BELT SANDER FEATURES

MODEL CX510 - 1" x 30" BELT SANDER

As part of the growing line of Craftex woodworking equipment, we are proud to offer the CX510, a 1" x 30" Belt Sander. By following the instructions and procedures laid out in this user manual, you will receive years of excellent service and satisfaction. The CX510 is a professional tool and like all power tools, proper care and safety procedures should be adhered to.

- ◆ Motor 1/3HP, 120-Volts, 60-Hz
- ◆ Amps 3
- ◆ Belt Speed 3450 FPM
- ◆ Sanding Belt Size Length 30" x Width 1"
- ◆ Dust Port..... 1-3/4" OD
- ◆ Weight 16 lbs
- ◆ Warranty 3 Years

CX510 – 1" x 30" BELT SANDER PHYSICAL FEATURES



PROPER GROUNDING

Grounding provides a path of least resistance for electric current to reduce the risk of electric shock.

Make sure the cord is plugged into a properly installed and grounded power outlet. To prevent electrical hazards, have a qualified electrician ensure that the line is properly wired.

Make sure that the appliance is connected to an outlet having the same configuration as the plug. If an adaptor plug is used, it must be attached to the metal screw of the receptacle.

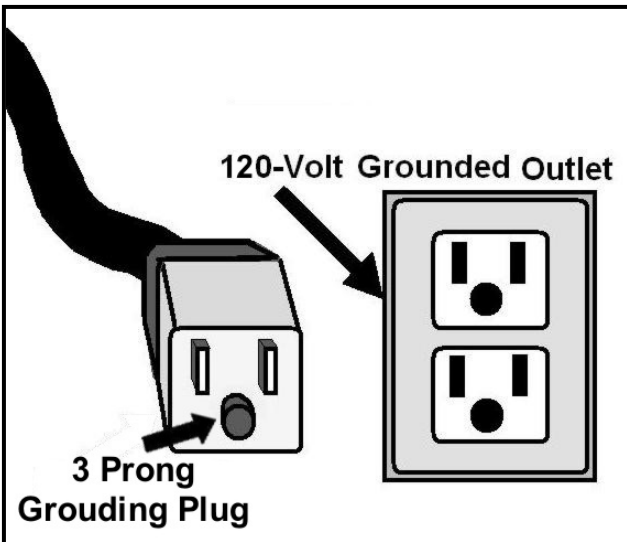


Figure-1 120 Volts outlet for CX510

It is strongly recommended not to use extension cords with your CX510. Always try to position your machine close to the power source so that you do not need to use extension cords.

In case if you really find it necessary to use an extension cord, make sure the extension cord does not exceed 50-feet in length and the cord is 14-gauge to prevent motor damage.

WARNING!

Improper connection of the equipment-grounding conductor can result in a risk of electric shock. Check with a qualified electrician if you are in doubt as to whether the outlet is properly grounded.

UNPACKING

The machine is properly packaged and shipped in a carton for safe transportation. When unpacking, carefully inspect the carton to ensure that nothing has been damaged and check that the sander and the parts are in good condition.

While doing inventory, if you can not find any part, check if the part is already installed on the machine. Some of the parts come preassembled on the machine.

ASSEMBLY

The CX510 is equipped with a tilting table secured by a locking handle.

To install the table:

Make sure the switch is in the OFF position and the cord is disconnected from the power source.

Remove the knob securing the side cover to the machine and remove the side cover. See figure-2.

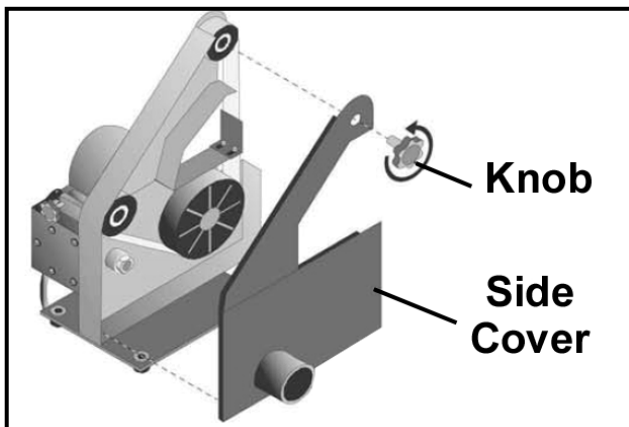


Figure-2 Removing the side cover

Remove the locking handle with the washer shown in figure-3.

Pass the sanding belt through the slot on the table and position the table on the machine as shown in figure-3.

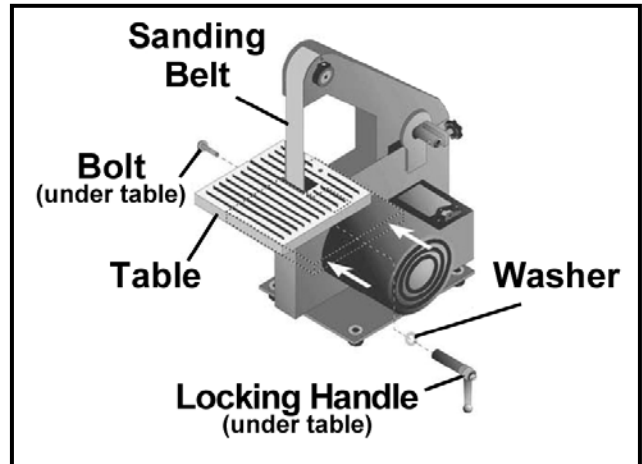


Figure-3 Installing the table

Secure the table to the machine using the lock lever and washer removed earlier. See figure-3.

Replace the side cover and secure it using the guard knob.

Loosen the screw shown in figure-4 and place the spark guard on the top of the frame. Secure it by retightening the screw removed. See figure-4.

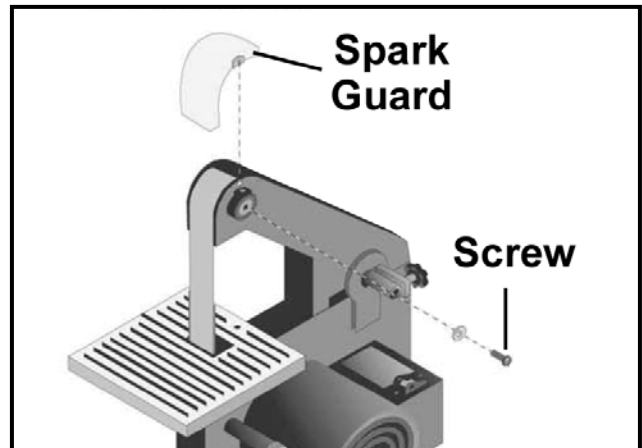


Figure-4 Installing the spark guard

DUST PORT

For optimum dust removal the sander is equipped with a 1-3/4" dust port. When connecting to a dust collector, use a proper sized hose and make sure all the connections are sealed tightly.



Figure-5 Dust port

WARNING!

The saw dust produced by the band saw can go into your lungs and cause serious health problems. Make sure the band saw is connected to a dust collection system while operating it.

REMOVING / INSTALLING SANDING BELT

Remove the cover knob and the side cover. See figure-6.

Turn the tracking knob counterclockwise to loosen the sanding belt. See figure-6.

Remove the sanding belt.

Place the new sanding belt on the three pulleys.

Tighten the sanding belt by turning the tracking knob clockwise until the rear driven wheel appears centered.

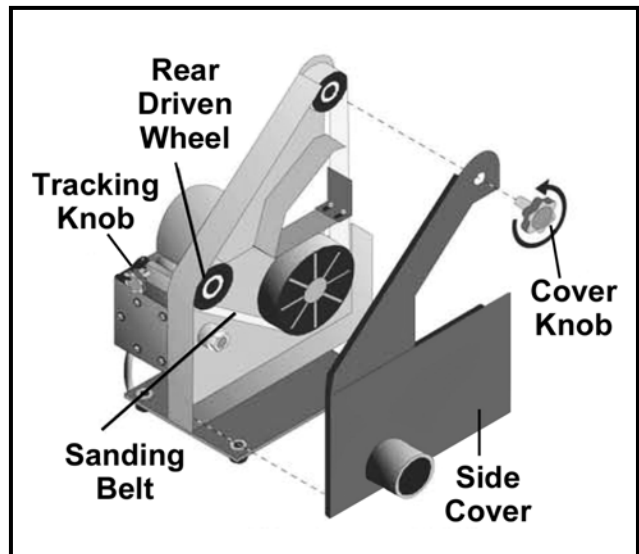


Figure-6 Installing sanding belt

Re-install the side cover and cover knob.

Now you would want to check and adjust the sanding belt tracking.

SANDING BELT TRACKING ADJUSTMENT

Turn the belt sander on and observe the sanding belt through the spark guard.

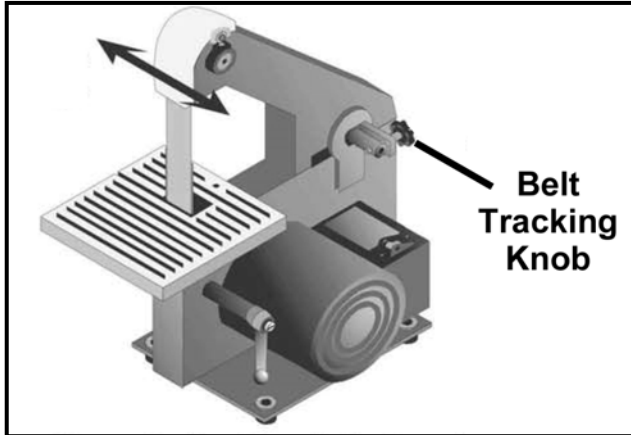


Figure-7 Belt tracking adjustment

If the belt is riding to the left, turn the tracking knob counterclockwise until the belt is centered.

If the belt is riding to the right, turn the tracking knob clockwise until the belt is centered.

If the sanding belt is riding on the center of the upper driven wheel, the tracking is correct and no further adjust is required.

TEST RUN

Once you have assembled the machine it is then time to do a test run and see that the machine powers up and runs properly.

All the tools and objects used for assembling the machine should be removed and cleared away during test run.

During the test run make sure the ON/OFF switch and all the safety features on the machine are working properly.

Connect the machine to the correct power source. Stand to the side of the sander and start the machine. During the test run if there is any unusual noise or vibration, disconnect the machine from the power source immediately. Check all the parts you have assembled, once again and try to find out the problem.

WARNING!

All maintenance, adjustments and installations must be done with the power OFF. Failure to do so could result in serious personal injury or damage to the machine.

BELT SUPPORT ADJUSTMENT

The belt support is a steel plate that is positioned behind the sanding belt, rising from the table level to a point several inches above the table surface. The plate provides support to the work when sanding and it should be adjusted so that it is almost touching the back of the sanding belt.

To adjust the belt support:

Make sure the cord is disconnected from the power source.

Remove the table by removing the bolt and lock handle as shown in figure-8.

Loosen the bolts on the belt support. See figure-8.

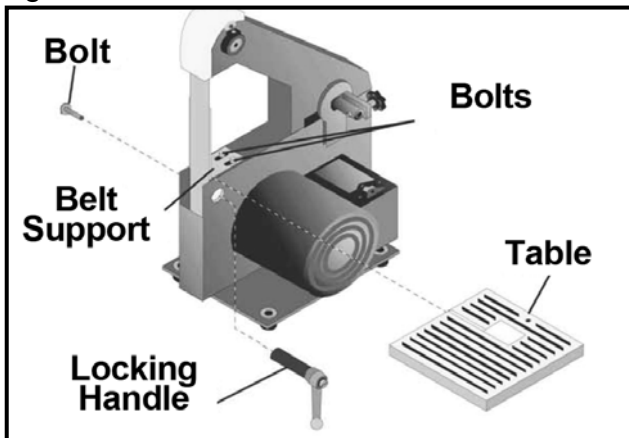


Figure-8 Belt support adjustment

Adjust the belt support to an approximate 1/16" from the back of the sanding belt.

Tighten the two cap screws on the belt support.

Reinstall the table and secure it in place.

TABLE TILT ADJUSTMENT

Loosen the locking handle by turning it counterclockwise. See figure-9.

Tilt the table to the desired angle and use a protractor to ensure accuracy. There should be approximately 1/16" gap between the table and the sanding belt. See figure-9.

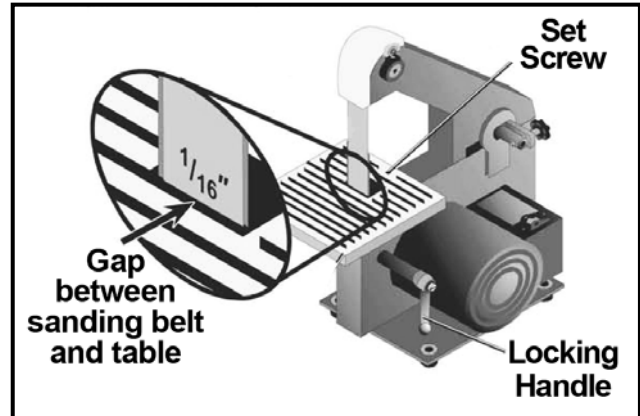


Figure-9 Table tilt adjustment

SQUARING THE TABLE

A better result can be attained when the table is at 90° with the belt/disc.

To square the table:

Make sure the switch is in the OFF position and the cord is disconnected from the power source.

Loosen the locking handle shown in figure-9 and lean the table as far as possible.

Place a square on the table and verify that the table is at 90° with the sanding belt. See figure-10.

If the table is tilted toward the front of the sander, tighten the set screw shown in figure-9.

If the table is tilted toward the back of the machine, loosen the set screw.

Once the table is at the correct position, tighten the locking handle to secure the table.



Figure-10 Squaring table to the belt

MAINTENANCE

All ball bearings are sealed and permanently lubricated and do not require any lubrication.

Check the sander for loose mounting hardware, worn or damaged wires, damaged abrasive belt and disc or any other unsafe condition before each use.

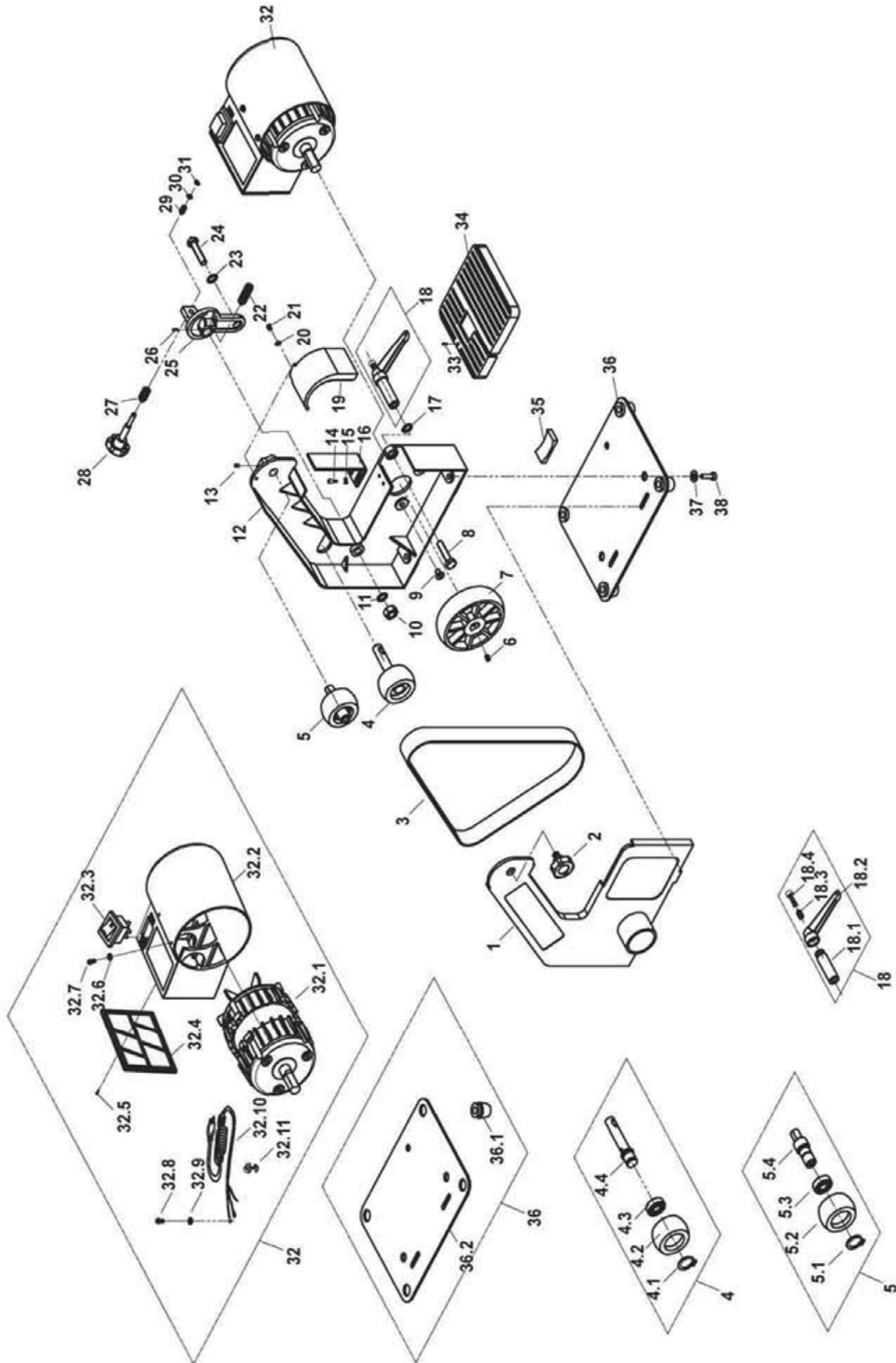
WARNING!

All maintenance, adjustments and installations must be done with the power OFF. Failure to do so could result in serious personal injury or damage to the machine.

TROUBLESHOOTING

Problem	Possible Causes	Likely Solutions
Tool will not start.	<ol style="list-style-type: none"> 1. Cord not connected. 2. No power at outlet. 3. Internal damage or wear. (Carbon brushes or switch, for example.) 	<ol style="list-style-type: none"> 1. Check that cord is plugged in. 2. Check power at outlet. If outlet is unpowered, turn off tool and check circuit breaker. If breaker is tripped, make sure circuit is right capacity for tool and circuit has no other loads. 3. Have technician service tool.
Tool operates slowly.	Extension cord too long or wire size too small.	Eliminate use of extension cord. If an extension cord is needed, use a shorter one.
Performance decreases over time.	<ol style="list-style-type: none"> 1. Belt dull or damaged. 2. Carbon brushes worn or damaged. 	<ol style="list-style-type: none"> 1. Replace as needed. 2. Have qualified technician replace brushes.
Excessive noise or rattling.	Internal damage or wear. (Carbon brushes or bearings, for example.)	Have technician service tool.
Overheating.	<ol style="list-style-type: none"> 1. Forcing machine to work too fast. 2. Accessory dull or damaged. 3. Blocked motor housing vents. 4. Motor being strained by long or small diameter extension cord. 	<ol style="list-style-type: none"> 1. Allow machine to work at its own rate. 2. Keep cutting accessories sharp. Replace as needed. 3. Wear ANSI-approved safety goggles and NIOSH-approved dust mask/respirator while blowing dust out of motor using compressed air. 4. Eliminate use of extension cord. If an extension cord is needed, use a shorter one.

PARTS DIAGRAM



PARTS LIST

NO.	DESCRIPTION	QTY	NO.	DESCRIPTION	QTY
1	Side Cover	1	21	Bolt	2
2	Cover Knob	1	22	Spring	1
3	Sanding Belt	1	23	Washer	2
4	Rear Driven Wheel	1	24	Bolt	1
4.1	C-Ring	1	25	Axle Seat	1
4.2	Pulley	1	26	Spring Pin	1
4.3	Bearing	1	27	Spring	1
4.4	Tension Axle	1	28	Tracking Knob	1
5	Pulley Assembly B	1	29	Spring	1
5.1	C-Ring	1	30	Washer	1
5.2	Pulley	1	31	Lock E-Ring	1
5.3	Bearing	1	32	Motor Assembly	1
5.4	Pulley Axle	1	32.1	Motor	1
6	Set Screw	1	32.2	Motor Cover	1
7	Motor Pulley	1	32.3	Switch	1
8	Bolt	1	32.4	Cover	1
9	Screw	1	32.5	Screw	6
10	Nut	1	32.6	Washer	4
11	Washer	2	32.7	Screw	4
12	Frame	1	32.8	Screw	1
13	Screw	1	32.9	Washer	1
14	Bolt	2	32.10	Power Cord	1
15	Washer	2	32.11	Bushing	1
16	Belt Support	1	33	Set Screw	1
17	Toothed Washer	2	34	Table	1
18	Locking Handle Assembly	1	35	Cushion	1
18.1	Locking Stud	1	36	Base Assembly	1
18.2	Locking Handle	1	36.1	Rubber Feet	4
18.3	Spring	1	36.2	Base	1
18.4	Screw	1	37	Spring Washer	2
19	Spark Guard	1	38	Bolt	2
20	Washer	2			



WARRANTY

CRAFTEX 3 YEARS LIMITED WARRANTY

Craftex warrants every product to be free from defects in materials and agrees to correct such defects where applicable. This warranty covers **three years** for parts and 90 days for labor (unless specified otherwise), to the original purchaser from the date of purchase but does not apply to malfunctions arising directly or indirectly from misuse, abuse, improper installation or assembly, negligence, accidents, repairs or alterations or lack of maintenance.

Proof of purchase is necessary.

All warranty claims are subject to inspection of such products or part thereof and Craftex reserves the right to inspect any returned item before a refund or replacement may be issued.

This warranty shall not apply to consumable products such as blades, bits, belts, cutters, chisels, punches etceteras.

Craftex shall in no event be liable for injuries, accidental or otherwise, death to persons or damage to property or for incidental contingent, special or consequential damages arising from the use of our products.

RETURNS, REPAIRS AND REPLACEMENTS

To return, repair, or replace a Craftex product, you must visit the appropriate Busy Bee Tools showroom or call 1-800-461-BUSY. Craftex is a brand of equipment that is exclusive to Busy Bee Tools.

For replacement parts directly from Busy Bee Tools, for this machine, please call 1-800-461-BUSY (2879), and have your credit card and part number handy.

- All returned merchandise will be subject to a minimum charge of 15% for re-stocking and handling with the following qualifications.
- Returns must be pre-authorized by us in writing.
- We do not accept *collect* shipments.
- Items returned for warranty purposes must be insured and shipped pre-paid to the nearest warehouse
- Returns must be accompanied with a copy of your original invoice as proof of purchase. Returns must be in an un-used condition and shipped in their original packaging a letter explaining your reason for the return. Incurred shipping and handling charges are not refundable.
- Busy Bee will repair or replace the item at our discretion and subject to our inspection.
- Repaired or replaced items will be returned to you pre-paid by our choice of carriers.
- Busy Bee reserves the right to refuse reimbursement or repairs or replacement if a third party without our prior authorization has carried out repairs to the item.
- Repairs made by Busy Bee are warranted for 30 days on parts and labour.
- Any unforeseen repair charges will be reported to you for acceptance prior to making the repairs.
- The Busy Bee Parts & Service Departments are fully equipped to do repairs on all products purchased from us with the exception of some products that require the return to their authorized repair depots. A Busy Bee representative will provide you with the necessary information to have this done.
- For faster service it is advisable to contact the nearest Busy Bee location for parts availability prior to bringing your product in for repairs.