



# **CX805, CX806 & CX807 6", 8" & 12" HAND SHEARS USER MANUAL**



## SHEARING CAPACITY

MODEL	CX805	CX806	CX807
SIZE	6"	8"	12"
MAX. SHEAR THICKNESS	1/4"	1/4"	1/4"
MAX. ROD DIA.	7/16"	1/2"	1/2"
WEIGHT	14 Kg	18 Kg	28 Kg

## UNPACKING

The hand shear is properly packaged in a carton for safe transportation. When unpacking, carefully inspect the carton and ensure that nothing has been damaged during transit.

## INVENTORY

The hand shear comes with the following:

CONTENTS	QTY
A. Hand Shear .....	1
B. Handle .....	1
C. Hex Bolt.....	2
D. Flat Washer .....	2

While doing the inventory if you can not find any parts, check if the part is already installed on the machine.

## ASSEMBLY

Attach the handle to the handle plate and secure it by using the hex bolts and flat washers included.

## MOUNTING

The hand shear features four pre-drilled holes on its base which allow mounting it to the workbench.

There are two ways to mount the hand shear onto the workbench; through mount and direct mount.

"Through Mount" is the strongest mounting option where the holes are drilled all the way through the workbench. Hex bolts, washers and hex nuts are used to secure the hand shear to the workbench. See figure-1.

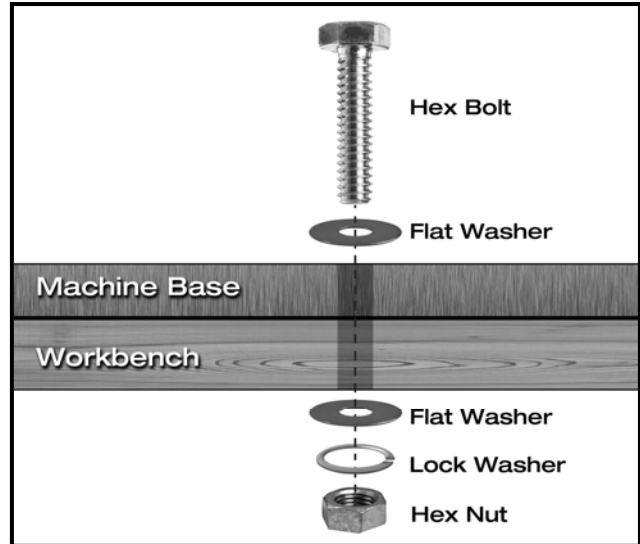


Figure-1 Through mount

"Direct Mount" is to simply secure the hand shear to the workbench using lag screws. See figure-2.

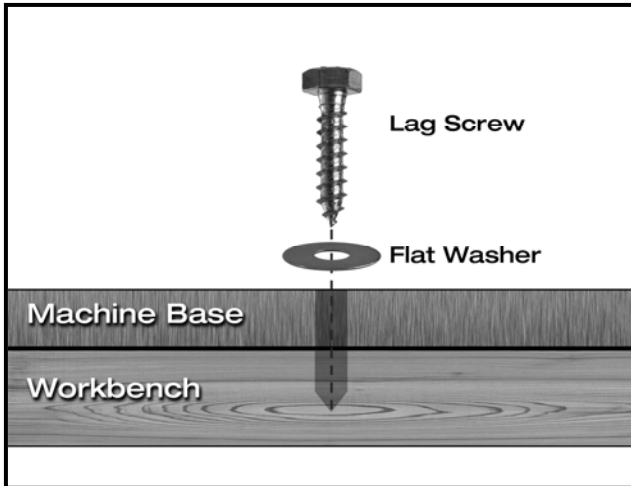


Figure-2 Direct mount

Place the hand shear on the workbench and use the holes on the base as a guide for drilling and attaching the shear to the workbench.

## OPERATION

Adjust the threaded stop making room for the work-piece.

Insert the work-piece between the upper and lower blades.

Pull the handle down slowly to cut the work-piece.

### **WARNING!**

*If the material is too thick or too hard to cut, do not force the hand shear. Forcing the shear will damage the upper and lower blades.*

### **WARNING!**

*Always keep your hands and body parts away from the cutting area of the shear. Failure to do so could result in serious personal injury*

## MAINTENANCE

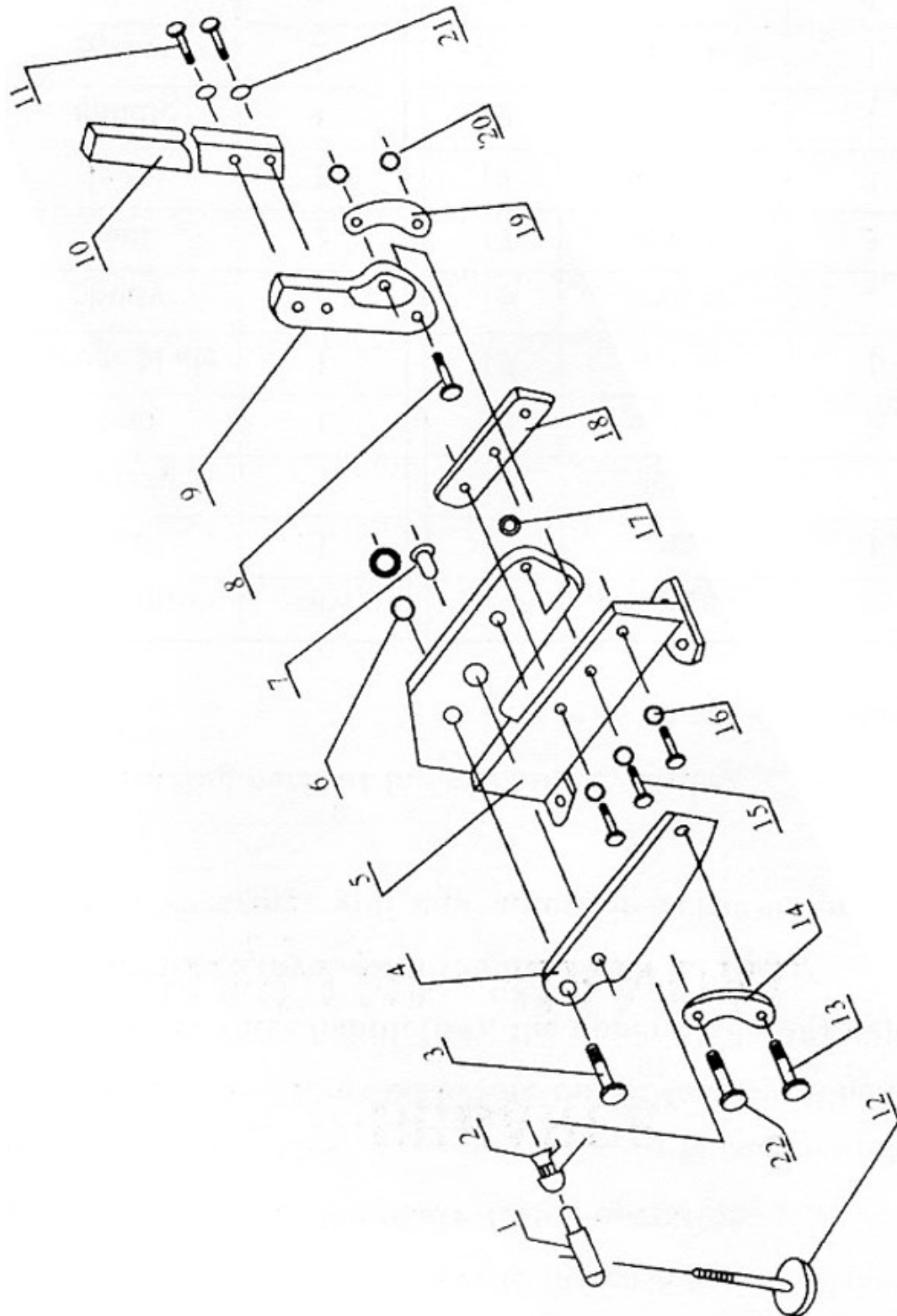
Maintaining your hand shear is quite simple and easy.

Always check the shear for any loose mounting bolts or damaged parts before operation.

Always keep pivot points tight.

Always keep blades lubricated with a light oil.

# CX805, CX806 & CX807 HAND SHEARS PARTS LIST



## CX805 HAND SHEARS PARTS DIAGRAM

PART NO.	DESCRIPTION
1	SUPPORT BLOCK
2	SPRING
3	BOLT - HEX HD M14X50
4	UPPER BLADE
5	BASE
6	NUT - HEX M14
7	DIE
8	BOLT - HEX HD M10X45mm
9	PIVOT ARM
10	HANDLE
11	BOLT - HEX HD M10X40mm
12	HOLD DOWN PLATE
13	BOLT - HEX HEAD M 8X40
14	LEFT LINK
15	BOLT - HEX HEAD M10X20
16	WASHER 10mm
17	NUT - HEX M10
18	LOWER BLADE
19	RIGHT LINK
20	NUT - HEX M8
21	WASHER 10mm
22	BOLT - HEX HEAD M 8X40

## CX806 HAND SHEARS PARTS DIAGRAM

PART NO.	DESCRIPTION
1	SUPPORT BLOCK
2	SPRING
3	BOLT - HEX HD M14X50
4	UPPER BLADE
5	BASE
6	NUT - HEX M14
7	DIE
8	BOLT - HEX HD M10X47mm
9	PIVOT ARM
10	HANDLE
11	BOLT - HEX HD M10X40mm
12	HOLD DOWN PLATE
13	BOLT - HEX HEAD M 8X40
14	LEFT LINK
15	BOLT - HEX HEAD M10X20
16	WASHER 10mm
17	NUT - HEX M10
18	LOWER BLADE
19	RIGHT LINK
20	NUT - HEX M8
21	WASHER 10mm
22	BOLT - HEX HEAD M 8X40

## CX807 HAND SHEARS PARTS DIAGRAM

PART NO.	DESCRIPTION
1	SUPPORT BLOCK
2	SPRING
3	BOLT - HEX HD M18X50
4	UPPER BLADE
5	BASE
6	NUT - HEX M18
7	DIE
8	BOLT - HEX HD M14X50mm
9	PIVOT ARM
10	HANDLE
11	BOLT - HEX HD M12X40mm
12	HOLD DOWN PLATE
13	BOLT - HEX HEAD M14X57
14	LEFT LINK
15	BOLT - HEX HEAD M12X22
16	WASHER 12mm
17	NUT - HEX M14
18	LOWER BLADE
19	RIGHT LINK
20	NUT - HEX M14
21	WASHER 12mm
22	BOLT - HEX HEAD M14X57



## WARRANTY

### CRAFTEX 3 YEARS LIMITED WARRANTY

Craftex warrants every product to be free from defects in materials and agrees to correct such defects where applicable. This warranty covers **three years** for parts and 90 days for labour (unless specified otherwise), to the original purchaser from the date of purchase but does not apply to malfunctions arising directly or indirectly from misuse, abuse, improper installation or assembly, negligence, accidents, repairs or alterations or lack of maintenance.

*Proof of purchase is necessary.*

All warranty claims are subject to inspection of such products or part thereof and Craftex reserves the right to inspect any returned item before a refund or replacement may be issued.

This warranty shall not apply to consumable products such as blades, bits, belts, cutters, chisels, punches etceteras.

Craftex shall in no event be liable for injuries, accidental or otherwise, death to persons or damage to property or for incidental contingent, special or consequential damages arising from the use of our products.

### RETURNS, REPAIRS AND REPLACEMENTS

To return, repair, or replace a Craftex product, you must visit the appropriate Busy Bee Tools showroom or call 1-800-461-BUSY. Craftex is a brand of equipment that is exclusive to Busy Bee Tools.

For replacement parts directly from Busy Bee Tools, for this machine, please call 1-800-461-BUSY (2879), and have your credit card and part number handy.

- All returned merchandise will be subject to a minimum charge of 15% for re-stocking and handling with the following qualifications.
- Returns must be pre-authorized by us in writing.
- We do not accept *collect* shipments.
- Items returned for warranty purposes must be insured and shipped pre-paid to the nearest warehouse
- Returns must be accompanied with a copy of your original invoice as proof of purchase. Returns must be in an un-used condition and shipped in their original packaging a letter explaining your reason for the return. Incurred shipping and handling charges are not refundable.
- Busy Bee will repair or replace the item at our discretion and subject to our inspection.
- Repaired or replaced items will be returned to you pre-paid by our choice of carriers.
- Busy Bee reserves the right to refuse reimbursement or repairs or replacement if a third party without our prior authorization has carried out repairs to the item.
- Repairs made by Busy Bee are warranted for 30 days on parts and labour.
- Any unforeseen repair charges will be reported to you for acceptance prior to making the repairs.
- The Busy Bee Parts & Service Departments are fully equipped to do repairs on all products purchased from us with the exception of some products that require the return to their authorized repair depots. A Busy Bee representative will provide you with the necessary information to have this done.
- For faster service it is advisable to contact the nearest Busy Bee location for parts availability prior to bringing your product in for repairs.