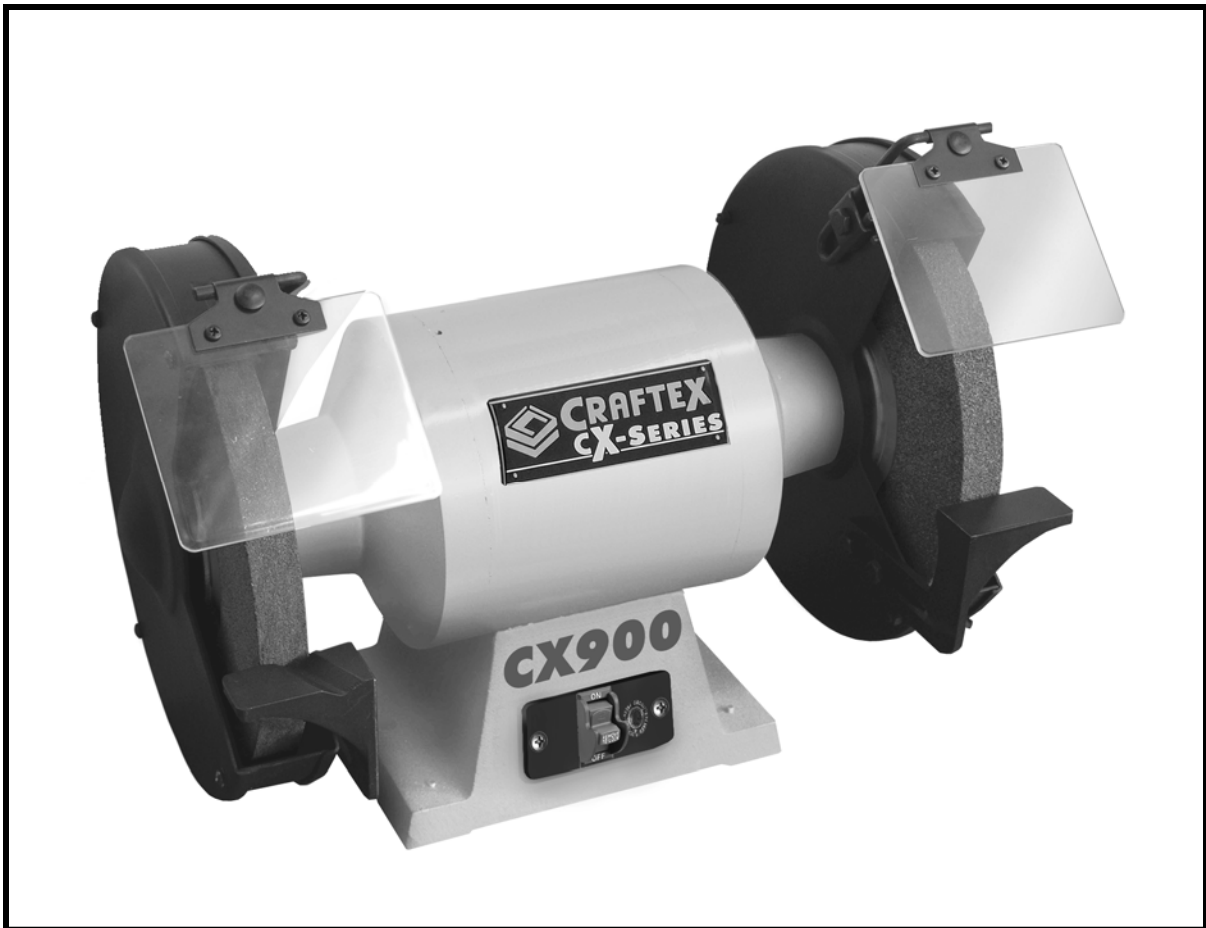




**CX900**  
**10" HEAVY DUTY**  
**BENCHTOP GRINDER**  
**User Manual**



**COPYRIGHT © 2014 BY CRAFTEX INDUSTRIES INC.**

NO PORTION OF THIS MANUAL MAY BE PRODUCED WITHOUT THE WRITTEN CONSENT OF CRAFTEX INDUSTRIES INC.



# TABLE OF CONTENTS

General Safety Instructions for Machines .....	3
Specific Safety Instructions .....	4
CX900 Features.....	5
Physical Features .....	6
Proper Grounding .....	7
Un-Packing .....	8
Assembly .....	8
Controls .....	9
Wheel Inspection .....	9
Wheel Mounting.....	10
Maintenance .....	10
Parts Diagram.....	11
Parts List.....	12
Warranty .....	13

# GENERAL SAFETY INSTRUCTIONS FOR MACHINES

Extreme caution should be used when operating all power tools. Know your power tool, be familiar with its operation, read through the owner's manual and practice safe usage procedures at all times.

- ❖ **ALWAYS** read and understand the user manual before operating the machine.
- ❖ **CONNECT** your machine ONLY to the matched and specific power source.
- ❖ **ALWAYS** wear safety glasses respirators, hearing protection and safety shoes, when operating your machine.
- ❖ **DO NOT** wear loose clothing or jewelry when operating your machine. Wear protective hair covering.
- ❖ **A SAFE ENVIRONMENT** is important. Keep the area free of dust, dirt and other debris in the immediate vicinity of your machine.
- ❖ **BE ALERT! DO NOT** use prescription or other drugs that may affect your ability or judgment to safely use your machine.
- ❖ **DISCONNECT** the power source when changing drill bits, hollow chisels, router bits, shaper heads, blades, knives or making other adjustments or repairs.
- ❖ **NEVER** leave a tool unattended while it is in operation.
- ❖ **NEVER** allow unsupervised or untrained personnel to operate the machine
- ❖ **NEVER** reach over the table when the tool is in operation.
- ❖ **ALWAYS** keep blades, knives and bits sharpened and properly aligned.
- ❖ **ALL OPERATIONS MUST BE** performed with the guards in place to ensure safety.
- ❖ **ALWAYS** use push sticks and feather boards to safely feed your work through the machine.
- ❖ **ALWAYS** make sure that any tools used for adjustments are removed before operating the machine.
- ❖ **ALWAYS** keep bystanders safely away while the machine is in operation.
- ❖ **NEVER** attempt to remove jammed cutoff pieces until the blade has come to a full stop.

# CX900 - 10" BENCHTOP GRINDER SPECIFIC SAFETY INSTRUCTIONS

- ❖ **ALWAYS** read and understand the user manual before operating the grinder.
- ❖ **MAKE SURE** you are wearing safety glasses while operating the grinder. The small particles becoming airborne during grinding operation can seriously damage your eyes.
- ❖ **ALWAYS** wear a dust mask or a respirator while grinding. The dust produced during grinding process can lead to serious respiratory problems if inhaled.
- ❖ **MAKE SURE** before making any adjustments, servicing or installing parts, the switch is in the "OFF" position, and the cord is un-plugged from the power source.
- ❖ **MAKE SURE** the RPM of the wheel you are installing on the grinder is equal to or higher than the speed of the grinder. Operating wheels at a higher speed than rated for may cause the wheel to lie apart, fly or break.
- ❖ **MAKE SURE** to keep your hands at a safe distance from the wheel.
- ❖ **NEVER LEAVE** the grinder unattended while it is running.
- ❖ **MAKE SURE** to do a test on the grinding wheels before installation. Wheels that do not pass the test are not safe to use. See page-8 for details.
- ❖ **ALWAYS** stand to the side of the grinder when turning it ON and let the wheel reach full speed. Stand at least one minute to the side of the grinder after startup. A damaged wheel can break apart and fly shortly after starting the grinder.
- ❖ **DO NOT** grind on the side of the wheel, unless the wheel is rated for side grinding.
- ❖ **ALWAYS** keep the tool rest within 1/8" distance from the wheel while operating the grinder.
- ❖ **MAKE SURE** you have read and understood all the safety instructions in the manual and you are familiar with your grinder, before operating it. If you fail to follow the instructions given in this user manual, serious injury could occur.

## **WARNING!**

*The safety instructions given above can not be complete because the environment in every shop is different. Always consider safety first as it applies to your individual working conditions.*



## CX900 –BENCHTOP GRINDER

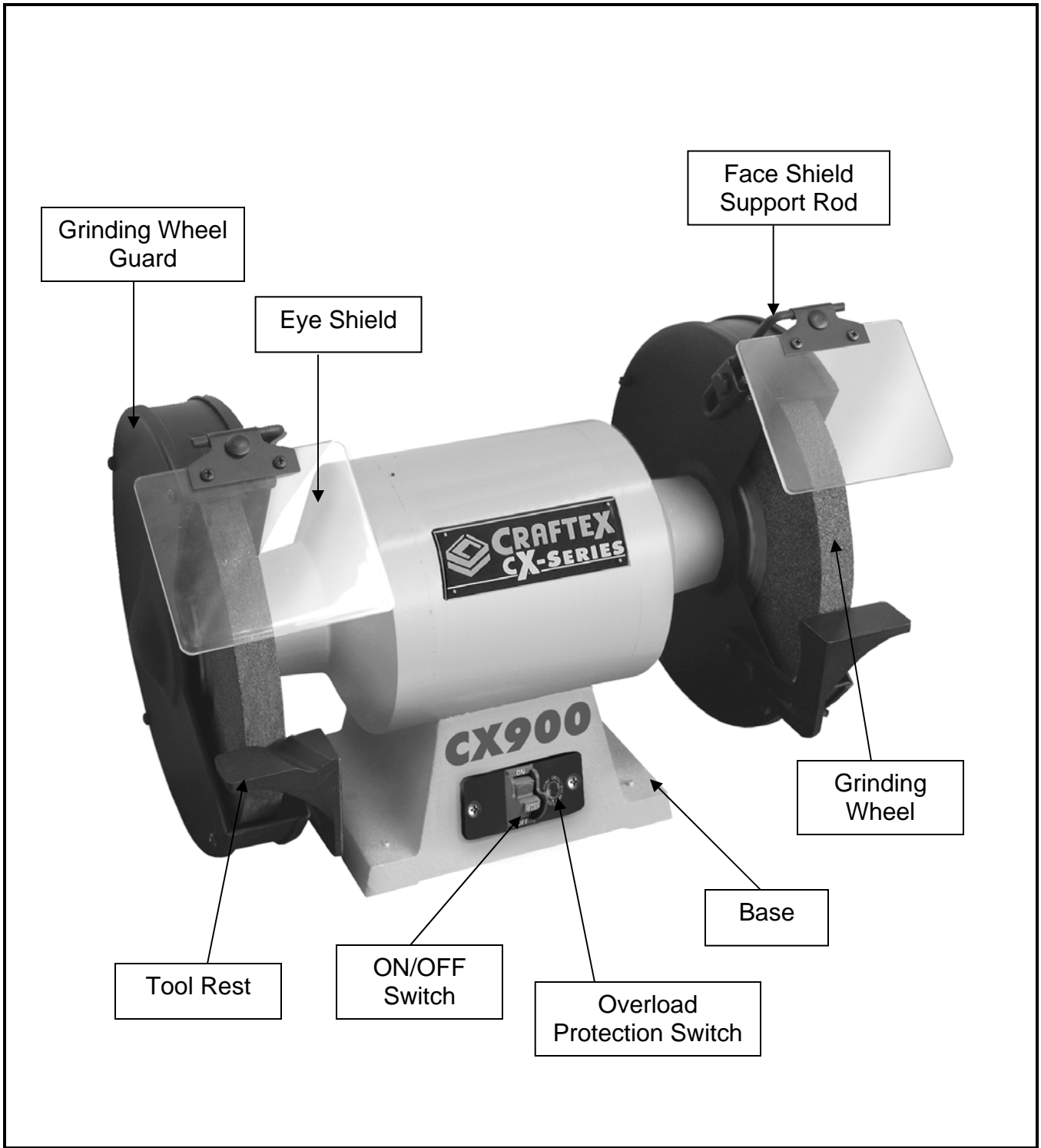
# FEATURES

### MODEL CX900 - 10" BENCHTOP GRINDER

As part of the growing line of Craftex CX-Series woodworking equipment, we are proud to offer the CX900, a 10" Benchtop Grinder. By following the instructions and procedures laid out in this user manual, you will receive years of excellent service and satisfaction. The CX900 is a professional tool and like all power tools, proper care and safety procedures should be adhered to.

- ❖ Motor ..... 1.2 HP, 120-Volts, Single Phase, 60-Hz
- ❖ No. Load Speed..... 1750 RPM
- ❖ Amps ..... 9.5 Amps
- ❖ Grinding Wheel Material ..... Aluminum Oxide
- ❖ Grinding Wheel Diameter .... 10" (with 3/4" Bore)
- ❖ Grinding Wheel Thickness... 1"
- ❖ Grinding Wheel Grit ..... 36 and 60 Grits
- ❖ ON/OFF Switch ..... Yes (With Removable Locking Pin)
- ❖ Weight ..... 27 Kgs
- ❖ Warranty ..... 3 Years

# CX900 - 10" BENCHTOP GRINDER PHYSICAL FEATURES



## PROPER GROUNDING

Grounding provides a path of least resistance for electric current to reduce the risk of electric shock.

Make sure the cord is plugged into a properly installed and grounded power outlet. To prevent electrical hazards, have a qualified electrician ensure that the line is properly wired.

Make sure that the grinder is connected to an outlet having the same configuration as the plug. If an adaptor plug is used, it must be attached to the metal screw of the receptacle.

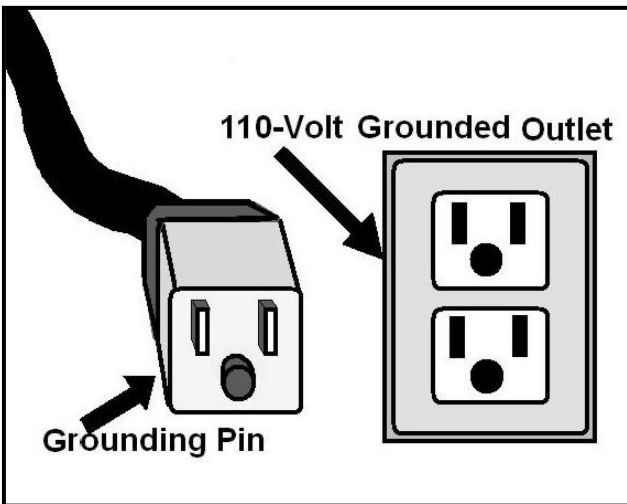


Figure-1 110-Volts outlet for CX900

It is recommended not to use extension cords with your CX900. Always try to position your machine close to the power source so that you do not need to use extension cords.

If you really find it necessary to use an extension cord, make sure the extension cord does not exceed 50-feet in length and the cord is 14-gauge to prevent motor damage.

### **WARNING!**

*Improper connection of the equipment-grounding conductor can result in a risk of electric shock. Check with a qualified electrician if you are in doubt as to whether the outlet is properly grounded.*

## UNPACKING

The machine is properly packaged in a carton for safe transportation. When unpacking, ensure that the carton has not been damaged during transit. Open the carton and check that the grinder and the parts are in good condition.

While doing inventory, if you can not find a part, check if the part is already installed on the machine. Some of the parts come preassembled with the machine.

## ASSEMBLY

To assemble your CX900 grinder, follow the instructions below:

The tool rest assembles to the inboard side of the wheel guard. Use two hex bolts and lock washers inserted through the tool rest support and thread into the tapped holes. Install the second tool rest on the opposite wheel guard in the same manner. The tool rest can be adjusted in and out by loosening these bolts.

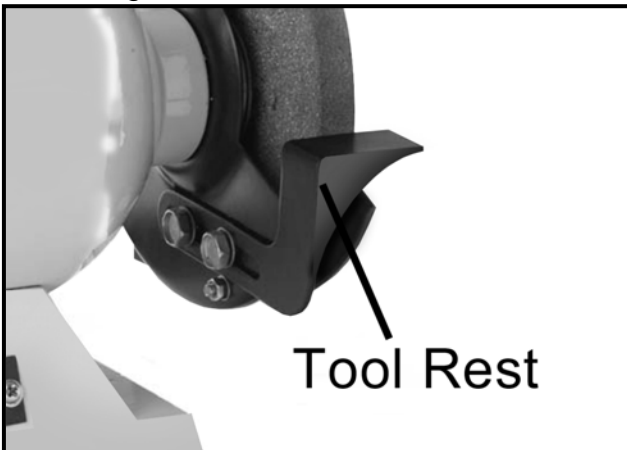


Figure-2 Installing the tool rest

Attach the eye shield rod to the inside of the wheel guard and secure it using the clamp bracket, hex bolt and washer provided.

Once the eye shield rod is firmly in place, slide the eye shield bracket onto the rod. Tighten the carriage bolt leaving it loose enough to allow the eye shield to be raised and lowered easily.



Figure-3 Installing the eye shield

Install the second eye shield in the same manner.

### **WARNING!**

*Always spin the wheel by hand before turning on the grinder to make the spark deflector does not hit the grinding wheel.*



## CONTROLS

Before attempting to use the CX900, familiarize yourself with all operating features and safety requirements.

### ON/OFF SWITCH

Your bench grinder features a front access ON/OFF switch for convenience and safety.

### MOTOR

The CX900 is powered by a precision-built electric induction motor, your bench grinder has sufficient power to handle tough grinding jobs.

### GRINDING WHEEL

The CX900 is equipped with course and fine grinding wheels to suit most applications.

### EYE SHIELD

The eye shields are adjustable for operator convenience.

## **WARNING!**

*Operating the CX900 grinder without the eye shields or spark deflector could result in serious injury. Do not grind with the eye shields raised. Always wear safety glasses for personal protection.*

### TOOL REST

The tool rest provides a surface which can be used to support the work-piece during grinding. The tool rest on CX900 are independently adjustable to compensate for wheel wear. Before grinding, make certain the tool rests are adjusted properly. Adjust the distance between the wheel and the tool rest to maintain 1/16" or less separation as the diameter of the wheel decreases with use.

## WHEEL INSPECTION

The grinding wheel should always be inspected properly before installation.

Clean the dust and/or dirt from the surface of the wheel and inspect it for any cracks, dents, chips, or any kind of external damage.

To inspect the wheel for any internal damages:

Hold the wheel up with a finger through the bore hole located in the middle of the wheel and tap it using a wooden mallet or a light non metallic object as shown in figure-4.

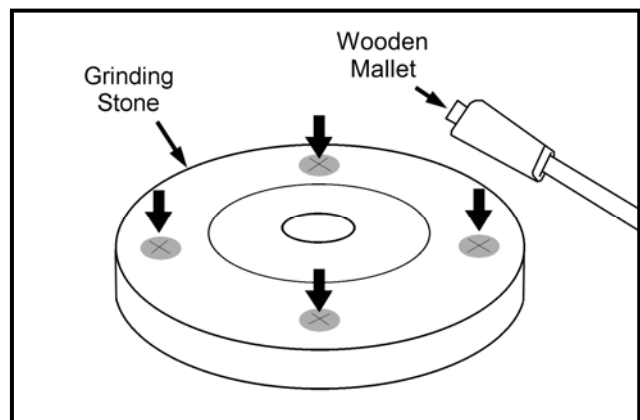


Figure-4 Tapping locations on the grinding stone when inspecting for internal damage

## **WARNING!**

*Tapping the wheel with heavy or metallic objects can damage the grinding wheel.*

Tapping the wheel with the mallet will create a sound, based on which you will be able to know if the wheel is damaged or not.

If the wheel is undamaged, the sound omitted will have a clear or "ping" sound. If the wheel is damaged the sound will have no clear tone.

## WHEEL MOUNTING

To install / uninstall the grinding wheel, the wheel guard assembly must be removed.

Make sure the switch is in the OFF position and the cord is unplugged from the power source.

Remove the three screws securing the outer guard.

Remove the outer guard and the rim guard. See figure-5.

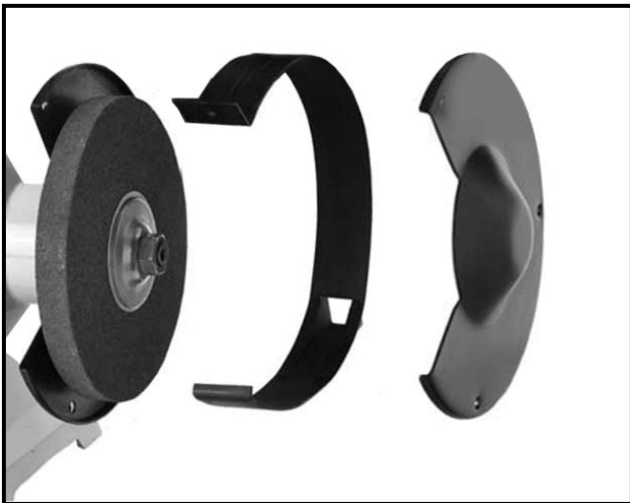


Figure-5 Removing the wheel guard

Hold the wheel from turning with one hand and loosen the nut securing the wheel on the arbor using a proper sized wrench with the other hand.

Remove the outer wheel flange, the paper disc and the grinding wheel from the arbor.

### **WARNING!**

*Do not install the grinding wheel on the arbor without a paper or fiber disc between the wheel and the flange. Failure to use it can put pressure on the wheel causing it to crack.*

Mount the new grinding wheel in the reverse order; first the inner wheel flange, a paper disc, the grinding wheel, a paper disc, the outer wheel flange and finally the nut. Tighten the nut and make sure not to over tighten it.

Stand to the side of the grinder. Turn ON the grinder with the new wheels and let it run for about 2 minutes.

## MAINTENANCE

During the life of your machine, you will need to practice some regular maintenance to keep your grinder in peak performance condition.

Check your grinder daily for the following:

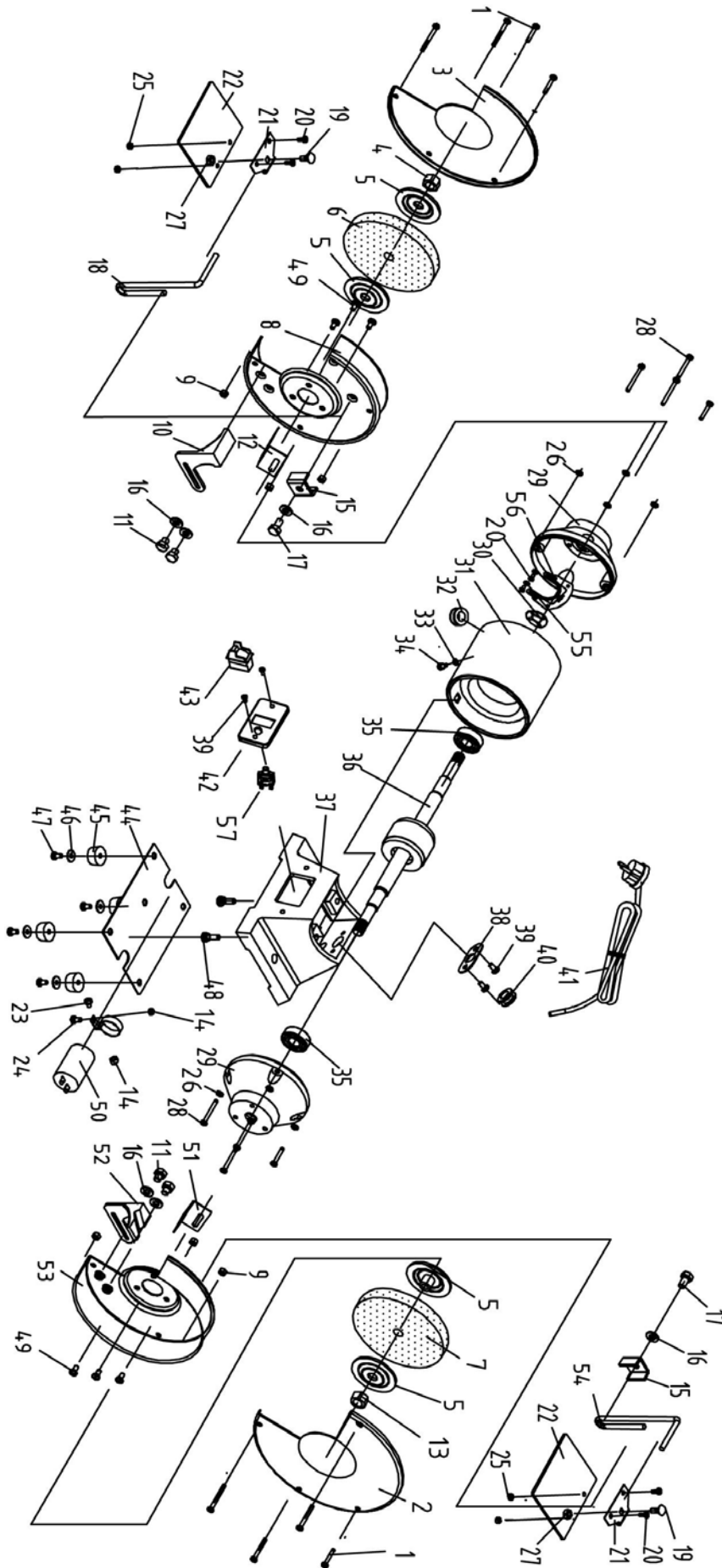
1. Loose mounting bolts
2. Worn switch
3. Worn or damaged cords and plugs
4. Damaged grinding wheel
5. Any other unsafe condition

### **WARNING!**

*Make sure the switch is in the OFF position and the cord is unplugged from the power source before servicing your machine. Failure to do so could result in serious personal injury.*

Keep the bench grinder clean. Remove the dust from the working parts and beneath the grinder frequently.

# CX900 PARTS DIAGRAM



## CX900 PARTS LIST

NO	DESCRIPTION	Q'TY	NO	DESCRIPTION	Q'TY
1	PHILIPS SCREW M5X62	8	32	CORD BUSHING	1
2	RIGHT SAFETY GUARD COVER	1	33	OUTER LOCK WASHER D4	1
3	LEFT SAFETY GUARD COVER	1	34	PHILIPS SCREW + FLAT WASHER +SPRING WASHER M4X8	1
4	HEX NUT, I TYPE M20 (LEFT)	1	35	BALL BEARING 205	2
5	FLANGE	4	36	ROTOR	1
6	LEFT GRINDING WHEEL (36#) 250x25x20	1	37	BASE	1
7	RIGHT GRINDING WHEEL (36#) 250x25x20	1	38	CORD PLATE	1
8	LEFT INNER GUARD	1	39	PHILIPS SCREW M5X8	4
9	HEX FLANGE NUT M5	8	40	CORD CLIP	1
10	LEFT TOOL REST	1	41	CORD & PLUG	1
11	HEX BOLTM8X10	4	42	SWITCH PLATE	1
12		1	43	SWITCH	1
13	HEX NUT, TYPE M20	1	44	BOTTOM	1
14	NUTM5	2	45	RUBBER FOOT	4
15	BRACKET	2	46	BIG FLAT WASHER D5	4
16	FLAT WASHER D8	6	47	PHILIPS SCREW M5X20	4
17	HEX BOLT M8X14	2	48	HEX BOLT+SPRING WASHER M8X25	2
18	LEFT EYE SHIELD MOUNTING ROD	1	49	PHILIPS SCREW +SPRING WASHER M6X18	6
19	CARRIAGE BOLT M6X18	2	50	CAPACITOR	1
20	PHILIPS SCREW M4X10	6	51		1
21	EYE SHIELD PLATE	2	52	RIGHT TOOL REST	1
22	EYE SHIELD	2	53	RIGHT INNER GUARD	1
23	PHILIPS SCREW M5X16	1	54	RIGHT EYE SHIELD MOUNTING ROD	1
24	PHILIPS SCREW M5X10	1	55	FLAT WASHER D4	2
25	HEX NUT M4	4	56	CENTRIFUGAL SWITCH	1
26	SPRING WASHER D6	8	57	RESET SWITCH	1
27	HEX NUT M6	2			
28	PHILIPS SCREW M6X25	8			
29	END CAPS	2			
30	WAVY WASHER D52	1			
31	STATOR	1			



## WARRANTY

### CRAFTEX 3 YEARS LIMITED WARRANTY

Craftex warrants every product to be free from defects in materials and agrees to correct such defects where applicable. This warranty covers **two years** for parts and 90 days for labor (unless specified otherwise), to the original purchaser from the date of purchase but does not apply to malfunctions arising directly or indirectly from misuse, abuse, improper installation or assembly, negligence, accidents, repairs or alterations or lack of maintenance.

*Proof of purchase is necessary.*

All warranty claims are subject to inspection of such products or part thereof and Craftex reserves the right to inspect any returned item before a refund or replacement may be issued.

This warranty shall not apply to consumable products such as blades, bits, belts, cutters, chisels, punches etceteras.

Craftex shall in no event be liable for injuries, accidental or otherwise, death to persons or damage to property or for incidental contingent, special or consequential damages arising from the use of our products.

### **RETURNS, REPAIRS AND REPLACEMENTS**

To return, repair, or replace a Craftex product, you must visit the appropriate Busy Bee Tools showroom or call 1-800-461-BUSY. Craftex is a brand of equipment that is exclusive to Busy Bee Tools.

For replacement parts directly from Busy Bee Tools, for this machine, please call 1-800-461-BUSY (2879), and have your credit card and part number handy.

- All returned merchandise will be subject to a minimum charge of 15% for re-stocking and handling with the following qualifications.
- Returns must be pre-authorized by us in writing.
- We do not accept *collect* shipments.
- Items returned for warranty purposes must be insured and shipped pre-paid to the nearest warehouse
- Returns must be accompanied with a copy of your original invoice as proof of purchase. Returns must be in an un-used condition and shipped in their original packaging a letter explaining your reason for the return. Incurred shipping and handling charges are not refundable.
- Busy Bee will repair or replace the item at our discretion and subject to our inspection.
- Repaired or replaced items will be returned to you pre-paid by our choice of carriers.
- Busy Bee reserves the right to refuse reimbursement or repairs or replacement if a third party without our prior authorization has carried out repairs to the item.
- Repairs made by Busy Bee are warranted for 30 days on parts and labour.
- Any unforeseen repair charges will be reported to you for acceptance prior to making the repairs.
- The Busy Bee Parts & Service Departments are fully equipped to do repairs on all products purchased from us with the exception of some products that require the return to their authorized repair depots. A Busy Bee representative will provide you with the necessary information to have this done.
- For faster service it is advisable to contact the nearest Busy Bee location for parts availability prior to bringing your product in for repairs.