



# MODEL CX911

## 8" SLOW SPEED GRINDER



# TABLE OF CONTENTS

General Safety Instructions .....	3
Specific Safety Instructions.....	5
Power Supply .....	6
Machine Specifications .....	7
Unpacking.....	8
Inventory.....	9
Overview.....	10
Assembly .....	11
Operating .....	13
Changing the Grinding Wheels.....	16
Parts Diagram.....	18
Parts List.....	19
Warranty .....	20

# **CX911 SLOW SPEED GRINDER CRAFTX CX SERIES**

## **General Safety Instructions:**

Operating a bench top grinder can be dangerous if safety precautions and common sense are not followed. The operator of the machine should be familiar with and understand the manual before operation of the tool. Do not operate this bench top grinder if you have not read the manual and are understanding of the limitations of this machine. **DO NOT** modify this machine in any way.

## **Before Operation of Grinder:**

### **WARNING!!!**

In order to avoid any potential serious injury or property damage, read and follow the safety and operating instructions laid out in this manual.

1.) Some debris and dust generated by use of this bench top grinder may contain chemicals like:

- Lead from lead-based paint
- From Crystalline silica from bricks, cement, and other masonry products.
- Arsenic and chromium from chemically treated lumber

Your risk of exposure to the above listed chemicals varies based on the type of work being performed. Always work in a well ventilated area and with the proper approved safety equipment. Use of a dust mask capable of filtering out microscopic particulates should be worn during operation of the bench grinder.

2.) Read through the owner's manual thoroughly and understand how to use this machine for its intended applications.

3.) Ground all machines. If the machine has a 3 prong plug, it must be used in conjunction with a 3 prong electrical receptacle. The purpose of the third prong is to provide grounding for the machine and to prevent accidental electrical shock. **DO NOT** under any circumstance remove the third prong.

4.) Avoid possible hazardous working environments. Avoid using any electrical tools or machines and wet or damp locations. Do not expose to rain.

5.) **DO** not use electrical machines or tools in the presences of flammable gasses or liquids.

6.) Always keep the work are clutter free and clean. Work area should be free from debris, slippery floors, grease, and wax.

7.) Keep children away during operation of the machine and keep everyone out of your immediate work area.

8.) Do not use the machine for anything that is not its intended application for which the machine was designed.

9.) Do not wear loose fitting clothing, neck ties, gloves, or jewelry. These items increase the risk of serious injury as they may be caught by the machine during operation and pull the operator in towards the machines moving parts. Long hair should also be covered and kept away from the machine during operation to avoid getting caught as well.

**10.)** Childproof the workshop area by removing all switch keys from machinery, unplugging all equipment, or by use of padlocks.

**11.)** Always remove or unplug machine from power source before performing any maintenance or making any adjustments.

**12.)** Keep all protective guards in place and in proper working order to avoid potential injury.

**13.)** Make sure the on/off switch is in the off position to avoid accidental starting of the machine when plugging it in to its power source.

**14.)** Remove all tools from work area used for maintenance before turning machine.

**15.)** Use only recommended or original accessories. Use of accessories not meant for this machine can lead to serious injury or even property damage. Please check manuals of accessories to ensure that they can be safely used with your machine.

**16.)** Never leave a running machine unattended. Wait until the machine has come to a full stop after turning the power switch off before leaving the area.

**17.)** Do not stand on tool as it could result in serious injury or property damage.

**18.)** Do not store items above or around the tool or where anyone may try and stand on the machine to reach the items.

**19.)** Keep your balance. Never over extend yourself around the machine. Make sure work area is free from grease, oil, and other slip hazards.

**20.)** Maintain your machine. Always keep machine clean and in proper working order. Dress the grinding wheels and replace other abrasive accessories when worn out.

**21.)** Before machine operation check for any damaged parts or accessories. Thoroughly check all safety guards are operating as they should and are not damaged. Also check for the alignment, binding, breaking of moving parts.

**22.)** Do not operate machine under the influence of drug, alcohol, medication, or while tired.

**23.)** Make sure to secure all work using clamps or jigs to secure the work piece. This is much safer then attempting to secure the work piece using your hands.

**24.)** Pay attention and stay alert while operating machine. A second of distraction or inattention can result in serious injury or property damage.

**25.)** You should always wear a dust mask when operating machine to avoid inhaling any hazardous dust or airborne particulates. Machine should be operated in a properly well ventilated area and in use with dust collection when available. Long term exposure to dust may result serious and permanent respiratory and health conditions such as silicosis, cancer, and even death. Always use a NIOSH/OSHA approved respiratory protection.

**26.)** If machine is used in conjunction with an extension cord it must be heavy enough to carry the current the machine will draw during operation. Using a cord with a wire gauge that is too small or too long can result in voltage drop causing loss of power and overheating of the motor. Use only 3 prong extension cords that have grounding pin.

## **Specific Safety Instructions For Bench Top Grinders**

- 1.)** Read the instructions thoroughly and understand before use or operation of machine.
- 2.)** Use eye shields and wheel guards provided with the grinder.
- 3.)** The Grinding wheels will decrease in diameter with use. As the diameter changes make sure to adjust the tool rest to keep and maintain a distance of 1/16" from the grinding wheel.
- 4.)** Remove and replace any cracked or damaged grinding wheels immediately. A cracked or damaged wheel can cause debris to be discharged towards the operator at a high velocity. When replacing the grinding wheel tighten the spindle nut just enough to secure the wheel in place. Do not over tighten the grinding wheel as excessive force can damage the wheel. When choosing a replacement grinding wheels only use properly sized wheels that are rated for the RPM of your machine.
- 5.)** Always stand to the side of the bench grinder when starting the machine. Stand to the side of the machine until it has reached full operating speed to avoid any possibility of being hit by debris from a damaged grinding wheel.
- 6.)** Do not force your work piece into the grinding wheel. Approach the grinding wheel with the work piece slowly so that the wheel may have an opportunity to warm up reducing the chances of wheel damage. Do not grind on the sides of the grinding wheels or use coolant or cutting liquids directly on the surface of the grinding wheel.
- 7.)** The Grinding wheel should be dressed often to keep the wheel surface flat and free of contaminates like residue or glaze.
- 8.)** Tool rest should be kept securely in place and used to position your work piece for grinding.
- 9.)** Do not operate grinder around flammable materials as the grinder will generate sparks and debris. Back of the grinder should be cleaned regularly.
- 10.)** Never bring grinding wheels to a stop by forcing your work piece into the grinding wheels. Let the grinder come to a stop by itself.
- 11.)** Allow for the grinding wheels to reach full speed before beginning work on your material.
- 12.)** Only use a dresser to resurface the face of the grinding wheels.
- 13.)** Keep all safety guards in place. Do not use the grinder if any of the guards are damaged or missing.
- 14.)** Secure the grinder to a workbench or stand using bolts to avoid tipping or sliding of the machine during operation.
- 15.)** Make sure all wrenches and adjustment keys are clear of the machine before turning machine on for operation.
- 16.)** Regularly clean all dust and debris from inside and beneath the safety guards while machine is unplugged.
- 17.)** Never grind small pieces of material without being properly supported by the tool rests or held by clamps to avoid personal injury or property damage.

## POWER SUPPLY

### AVAILABILITY OF POWER

Before Installation of this machine you will need to consider the proximity of your power supply circuit. If available circuits do not meet the requirements for this machine you will have to get a new circuit installed by a licensed electrician. Use of a licensed electrician will minimize the risks of fire, electrocution, damage to equipment, and will insure everything is wired in accordance to the applicable codes and standards.



### FULL LOAD CURRENT RATING

This is the amount of Amps a machine draws under 100% of the rated output power.

### FULL LOAD RATING FOR 120V 15AMPS

The full load current is not the maximum amount of amps the machine will draw. The machine has potential to draw current beyond the full load rating if it is overloaded. Overloading of the machine for an extended period of time can cause damage, overheating, or even fire. The risk is higher if the machine is on an undersized circuit. To help avoid these issues insure you are connected to a circuit in which meets the specified circuit requirements for this piece of machinery.

### **WARNING!**

**Do not connect machine to power before setup has been fully completed to avoid risk of personal injury or property damage.**

### CIRCUIT REQUIREMENTS FOR CX911 SLOW SPEED GRINDER

The CX911 has been prewired at the factory for operation on an electrical circuit that has a verified ground and meets the below requirements:

Voltage: .....110V – 120V  
Cycle: .....60Hertz  
Phase: .....Single  
Circuit Breaker Size: .....15Amps

#### Please Note:

1. An electrical circuit includes all electrical equipment between the breaker panel and the machine. This is why it is important to have the proper circuit size so it can safely accommodate this machine under full load for an extended period of time.
2. The circuit requirements laid out in this manual are for a dedicated circuit in which only one machine will be operational or installed at a time. If you choose to connect to a shared circuit where more than one machine may be running at a time please consult with a qualified electrician to insure the circuit is properly sized for safe operation.

### PLUG AND GROUNDING REQUIREMENTS

This machine must be grounded so that in the event of certain malfunctions it will reduce the chances of electrical shock by providing a path of lesser resistance for the electric current to travel through. For this reason the CX911 comes with a cord equipped with an equipment grounding wire that leads in to the grounding prong on the plug.

## NOTE

The three prong plug is only to be plugged in to the matching receptacle that is properly installed according to the local electrical codes and standards. Under no circumstances should you modify the plug to make it fit in a receptacle that it is not meant for this configuration. (see figure 1)

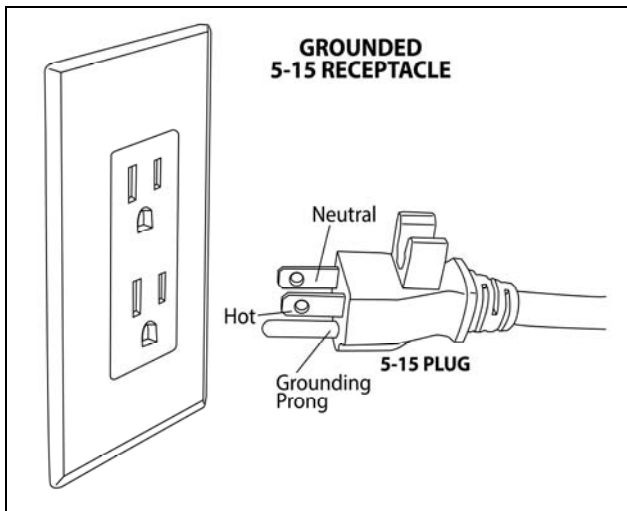


Figure 1

If there is an improper connection of a machine grounding wire it may result in a heightened risk of electric shock. If repair or replacement of the power cord is necessary in the future please consult a licensed electrician.

## NOTE

If ever you notice damage or wear to either the cord or plug disconnect it immediately from the power supply and have it replaced by a licensed electrician or service tech before any further use of the machine.

## USE WITH EXTENSION CORDS

If you absolutely must require the use of an extension cord with your machine do so, on a temporary short term basis only.

## NOTE

1. We recommend that you do not use an extension cord with this machine. Also the longer the extension cord the greater the possibility of voltage drop causing the motor to work harder under powered which in turn will cause it to draw more amps. This may cause the thermal overload to trip or even the breaker in your electrical panel. It may also cause the extension cord to heat up which can be a potential fire hazard.

If an extension cord is used with this machine it must have a ground wire with a plug that attaches to the one currently installed on your machine. The extension cord must also meet the following specifications below:

**Minimum Wire Gauge:**.....12 AWG  
**Maximum Cord Length:**.....50 ft.

## MACHINE SPECIFICATIONS

Motor.....1HP, 120V, 7A, 60Hz, Induction  
Motor RPM.....150RPM (No load)  
Arbor Size.....5/8"  
Arbor Threading.....M16H/M16RH  
Grinding Wheel.....Size.8"Dia x 1"Wide,  
5/8" Bore  
Grinding Wheel Grits.....60 Grit and 120 Grit  
Tool Rests.....4-5/16" x 1-7/8"  
Spark Deflectors.....Left and Right  
Eye Shields.....2.5x magnification  
Switch ON/Off.....Toggle with Safety Lock  
Light.....LED 120V/0.36 Watts  
Power Cord.....6ft  
Weight.....54 lbs  
Grinder Base Dimension...9-9/16"x6 1/2"  
Mounting Holes...7/16" Dia., 8 1/4" Apart

## UNPACKING

The CX911 will require minimal assembly.

- 1.) Remove the contents from the carton and place all items on a clean clutter free work surface.
- 2.) Remove all packing, protective materials, and protective coatings from machine. Use WD40 to help breakdown the protective coating. Just spray the WD40 on coated areas and wipe clean with a cloth. You may need to repeat this step a couple times to remove all protective coating.
- 3.) Compare all the items from the carton with Figure A. Make sure all items in the inventory are accounted for before throwing away carton and packaging materials.

### **NOTE**

Do not use gasoline, acetone, or paint thinner to remove protective coating as they may damage the painted areas.

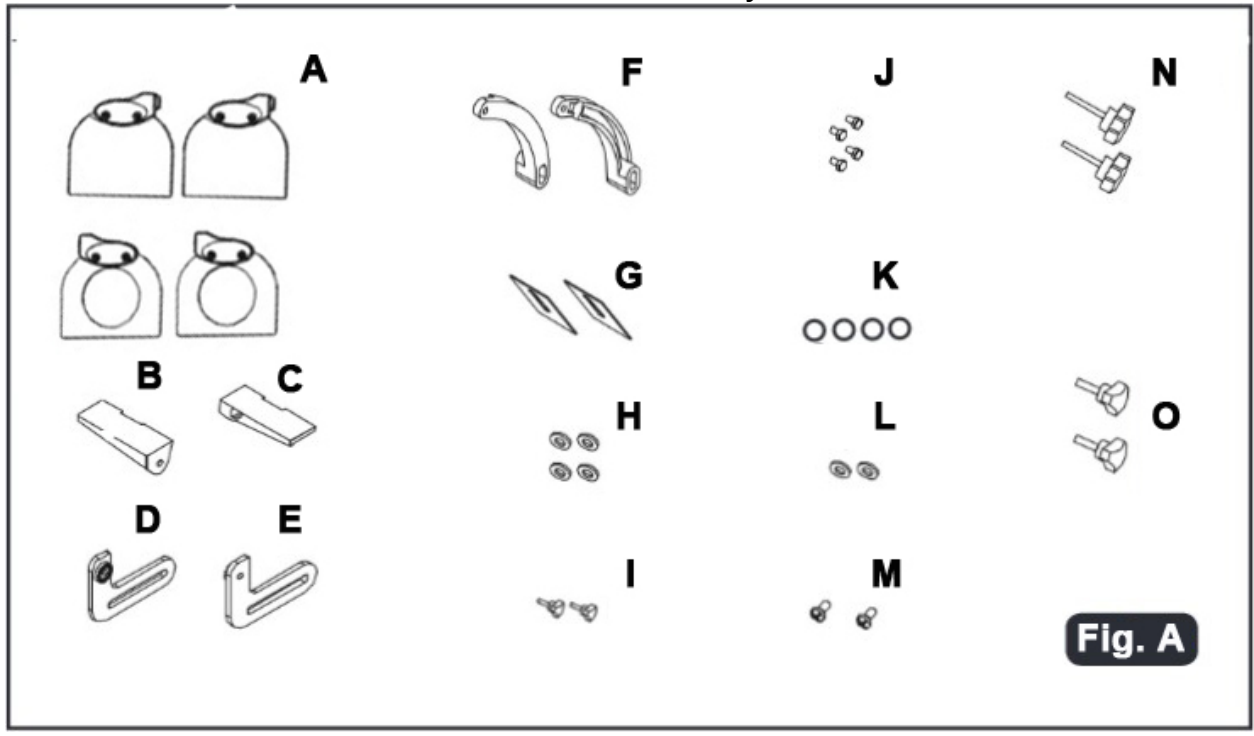
### **WARNING!!!**

If any parts of the machine appear to be missing **DO NOT** plug in or operate the machine. The bench grinder can only be turned on once all the guards and accessories have been properly installed.



# INVENTORY

## Small Parts and Safety Guards



The following items are provided in the shipping carton for CX911 Slow Speed Grinder.

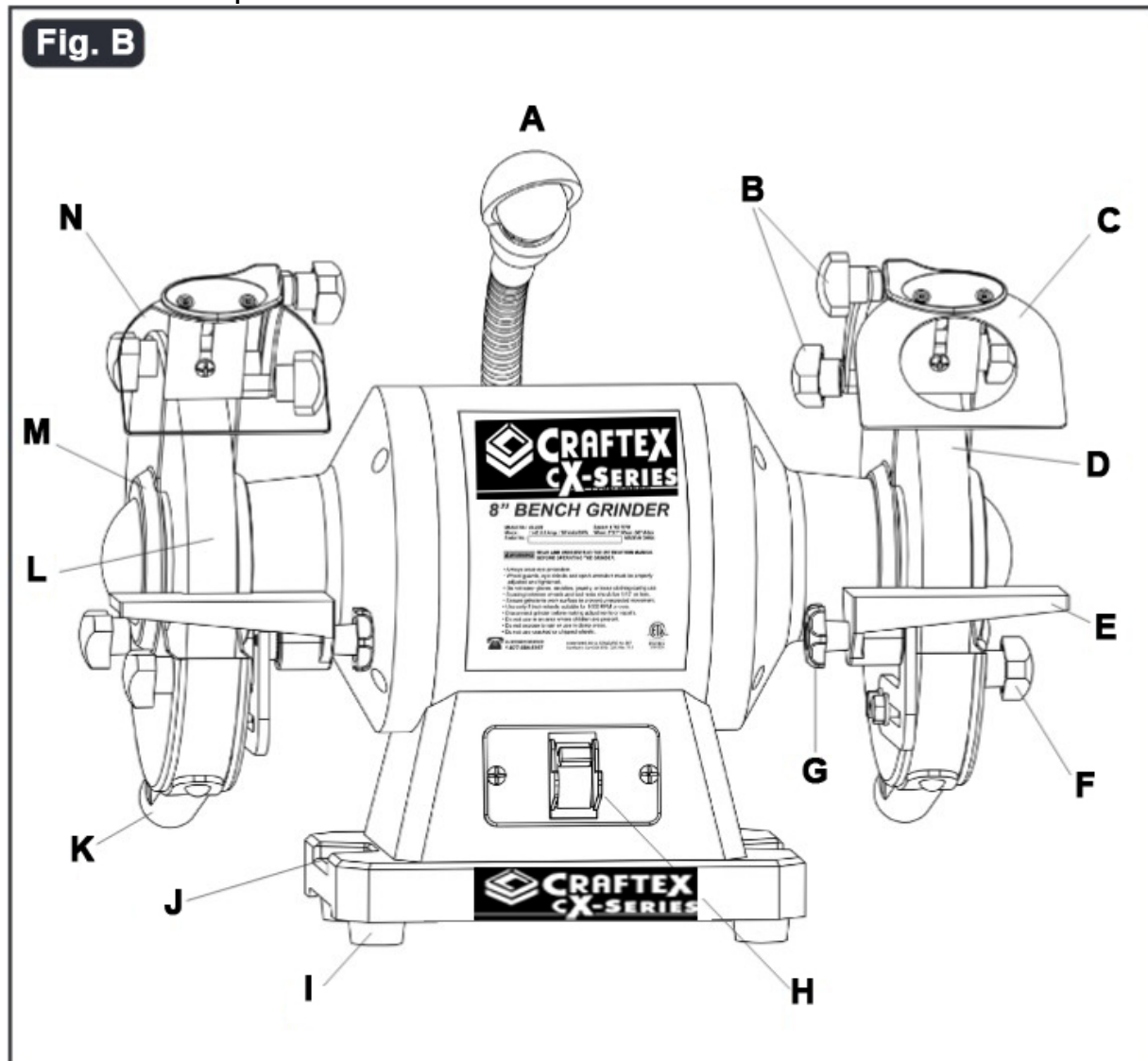
- |   |   |
|---|---|
| <b>A.</b> Eye Shield Assembly Regular(2)<br>and 2.5 x magnification (2) | <b>K.</b> Flat Washers D6 (4)               |
| <b>B.</b> Left Tool Rest  | <b>L.</b> Lock Washers D6 (2)               |
| <b>C.</b> Right Tool Rest   | <b>M.</b> Phillips Screws (2)               |
| <b>D.</b> Left Tool Support   | <b>N.</b> Tool Rest Locking Knobs M6-45 (2) |
| <b>E.</b> Right Tool Support  | <b>O.</b> Eye Shield Locking Knob M5-15 (2) |
| <b>F.</b> Eye Shield Mounting Brackets. (left<br>and right)             |   |
| <b>G.</b> Spark Deflectors (2)  |   |
| <b>H.</b> Flat Washers D8 (4)   |   |
| <b>I.</b> Eye Shield Mounting knobs M6-30<br>(2)                        |   |
| <b>J.</b> Hexagon Bolt M8-12 (4)  |   |

### NOTE

Full parts list and diagram are available at the back of the manual

# CX911 SLOW SPEED GRINDER OVERVIEW

## CX911 Slow Speed Grinder



### **CX911 OVERVIEW:**

( May look different than actual )

- |  |   |
|--|---|
| A. Work Light                              | H. On/Off Switch With Removeable Safety Key |
| B. Eye Shield Adjustment Knobs (4)         | I. Rubber Feet (4)                          |
| C. Eye Shield Magnifier Assembly Right (2) | J. Mounting Hole (2)                        |
| D. 8" 120 Grit Grinding Wheel              | K. Dust Port (2)                            |
| E. Tool Rest (2)                           | L. 8" 60 Grit Grinding Wheel                |
| F. Wheel Cover Adjustment Knob (6)         | M. Wheel Cover (2)                          |
| G. Tool Rest Adjustment Knob (2)           | N. Eye Shield Assembly Clear (2)            |

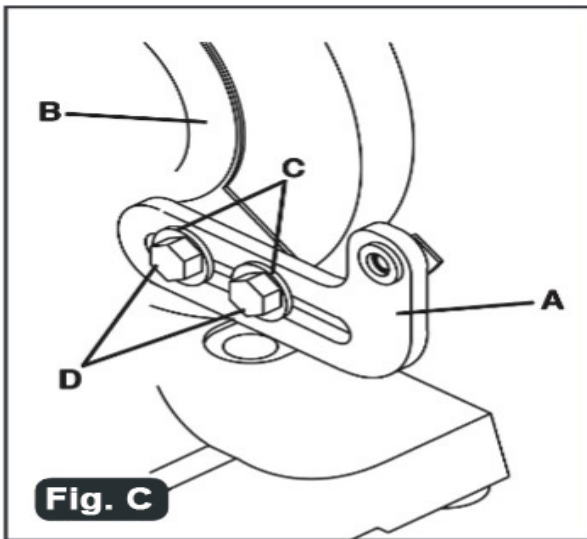
# ASSEMBLY INSTRUCTIONS FOR CX911

The CX911 Slow Speed Grinder is equipped with left and right tool positioned tool rests to lay your work piece on.

- 1.) Make sure that the CX911 on/off switch is in the off position and that the machine is not plugged in before you begin the assembly process.
- 2.) Insure that the grinding wheels are firmly secured and tightened in place on your CX911 Slow Speed Grinder.

## Tool Rests (Fig. C and D)

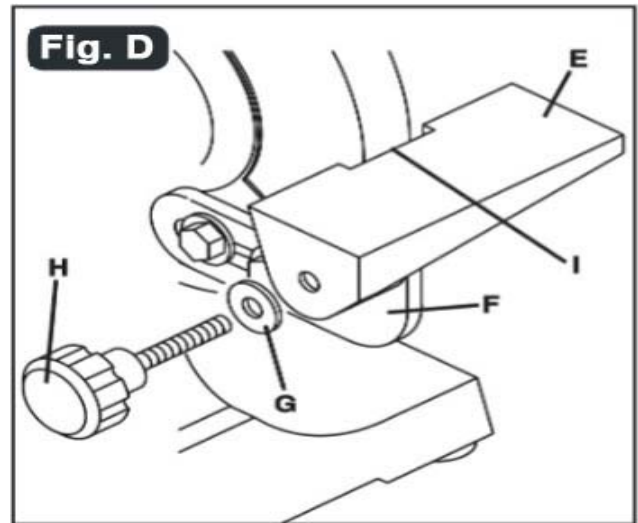
The CX911 Slow Speed Grinder is equipped with two tool rest assemblies for use with the different grit grinding wheels. Both of the tool rests are completely flat.



- 1.) Attach the tool support (A) to the inside surface of the grinding wheel covers (B) with the supplied flat washers (C) and hex bolts (D) as shown in the Fig. C above.
- 2.) Attach the tool rests (E) to the supports (F) with supplied flat washers (G) and the tool

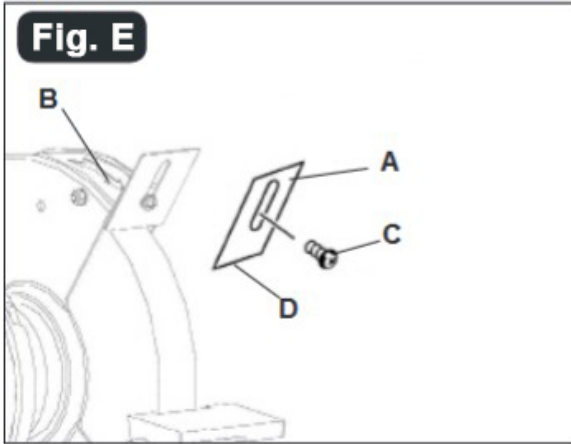
rest adjustment knobs M-15 (H) as shown in Fig. D below.

- 3.) Adjust both of the tool rests until the inside edge facing the grinding wheels (I) is 1/16" away from the grinding wheels. Securely fasten the hex bolts and knobs holding the supports. See Fig. D below



## Spark Deflectors

- 1.) Attach the spark deflectors (A) to the front of the grinding wheel covers (B) with the supplied pan head screws and washers (C) as shown below in Fig. E.
- 2.) Adjust both of the spark deflectors until the lower edge (D) is 1/16" away from the grinding wheel. Firmly fasten the pan head screws. See Fig. E below.
- 3.) As the grinding wheel reduces in size over time from use you will need to readjust the spark deflectors so that you maintain the 1/16" space between the deflectors and the grinding wheels.

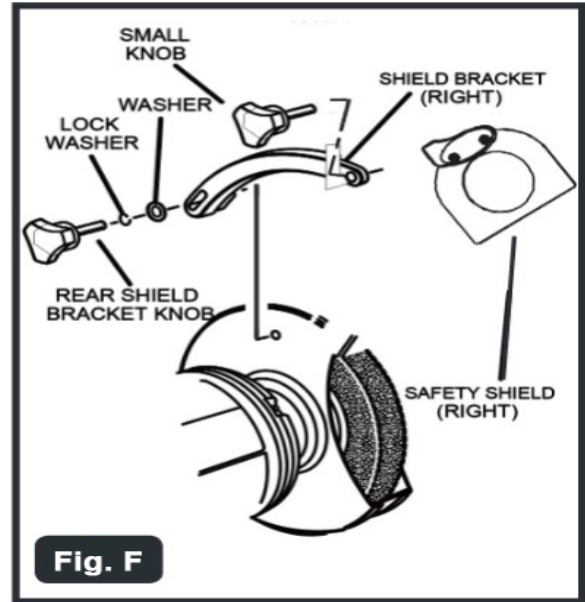


## Eye Shields

- 1.) Secure and fasten the safety shield assemblies to the safety shield brackets using the supplied fastening knobs M5-15 in Fig. F below.
- 2.) Join the safety shield assembly and bracket to the grinding wheel guard using a washer, lock washer, and rear shield bracket knob M6-30.
- 3.) The eye shields should be properly positioned over the grinding wheel to protect the operator from sparks and debris that may be generated during operation of the machine.
- 4.) Adjust the eye shield bracket and eye shield in to the desired position directly above the grinding wheel then securely tighten the knobs to hold eye shields in place during operation.

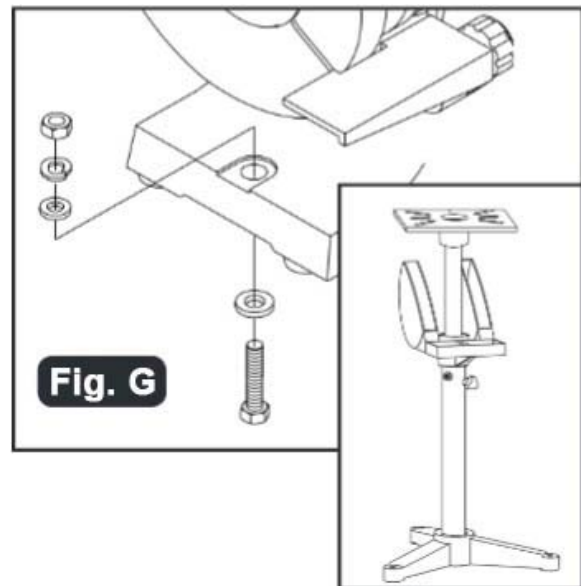
### WARNING!!!

Only use supplied eye shields and wheel guards with this machine. Do not operate machine without having all safety measures in place.



## Permanent Mounting Instructions

Use the pre drilled mounting holes located in the base of the CX911. Use these holes to securely attach the CX911 Slow Speed Grinder to a solid work surface or grinder stand. (Mounting hardware not included) See Fig. G below.



### **WARNING!!!**

To help reduce and avoid the risk of injury secure the CX911 Slow Speed Grinder to a solid stable work surface. If not mounted to a solid work surface permanently and remaining portable always secure with clamps before operating machine to insure stability.

### **CAUTION!!!**

Always wear protective eye such as goggles or safety glasses when operating the machine. Use of a respirator or at minimum a dusk mask is advised.

## **OPERATING THE CX911 SLOW SPEED GRINDER**

### **Before use or operation of the grinder**

Operating your CX911 Slow Speed Grinder can be hazardous or dangerous if common sense is not followed. The operator should have thoroughly read through the manual and a have good understanding of this machine before operating. Please do not operate this machine if you do not understand the limitations of this machine. For your own health and safety do not modify or use this machine in ways not intended or designed.

### **WARNING!!!**

To reduce and avoid the risk of damage to the machine or serious injury read and follow the safety instructions located at the beginning of the manual. This machine was designed for hand held sharpening, grinding, as well as cleaning operations.

### **CAUTION!!!**

Always wear approved eye protection as this machine generates flying debris and sparks during operation.

Stand at the side of the grinder and plug the machine in to a suitable power supply.

Remain by the side of the grinder as you turn the machine on by switching the on/off switch to the on position.

Give the grinding wheels time to reach operating speed and warm up before beginning any grinding operations.

Make sure to adjust eye shields properly. Take your work piece and place it flat on the appropriate tool rest for the desired operation. Securely hold on to the work piece using pliers or clamps if necessary.

Bring the work piece towards the grinding wheel until it lightly contacts the grinding wheel. Move the work piece back and forth across the surface of the grinding wheel to remove the desired amount of material. Do not grind in one spot on the wheel as it will create uneven wear on the grinding wheel. If this happens the grinding wheel will need to be dressed shortening the lifespan of the wheel.

### **WARNING!!!**

To avoid any potential personal injury or property damage Do Not use the side of the grinding wheels for grinding operations.

- 6.) Do not force the work piece against the grinding wheels especially when wheels have not been warmed up. Bring work piece in to contact with grinding wheels

and grind slowly as this will allow for the grinding wheel to warm up and prevent or minimize the chances of wheel breakage. Never grind anything with the side of the grinding wheels or directly apply coolant to them.

- 7.) If the work material becomes too hot you may dip it in water in a quench tray to aid in cooling the material.
- 8.) After you have finished your grinding operations make sure to switch the on/off switch in to the off position.

### CAUTION!!!

It may take a minute or two for the grinding wheels to come to a complete stop on their own. Do Not attempt to stop wheels by jamming material in to the wheels.

- 9.) Always unplug grinder from power supply. To help prevent unauthorized use of the grinder the on/off switch is equipped with a safety key. With the switch in the off position remove the yellow safety key in the middle of the switch. Without the safety key the machine cannot be used. Simply replace the safety key when you want to resume any grinding operations.

### WARNING!!!

Only connect the CX911 to a dust collector designed for metal working. Do not use a dust collector that is intended and designed for wood working. Hot sparks from the grinder during operation can ignite the contents of a dust collector meant for wood working. Only use a dust collector designed for metal working.

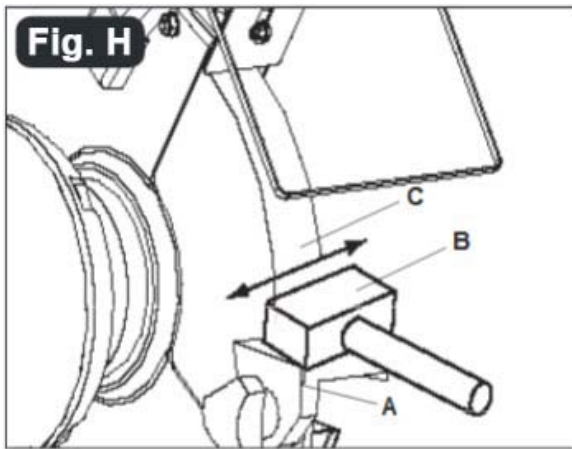
### CAUTION!!!

Always wear approved eye protection when performing operations on your CX911 slow speed grinder. It would be advised that you operate this machine in a well ventilated area and wear a respirator or dust mask to prevent the inhalation of fine metal particulates or debris.

# OPERATING YOUR CX911 SLOW SPEED GRINDER

## How To Use The Wheel Dresser

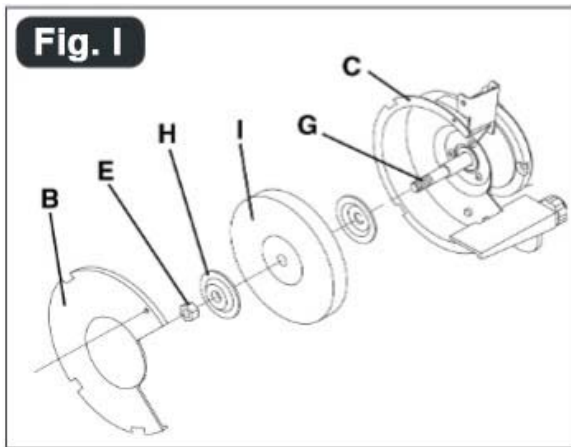
A wheel dresser should be used to help eliminate any forward wobble of the grinding wheel. The wobble is caused by building up of material on the wheel. The dresser is used to clean the wheel of any residual material and or imperfections while squaring the wheel back up. See Fig. H below.



The wheel dresser is not meant to be used with wire wheels. Do Not use dresser on wire wheels if they are installed on your grinder. (Dresser is not included with this machine)

- 1.) Adjust the tool rest (A) until tool rest is completely flat and have a space of approximately 1/16" between the grinding wheel and the tool rest.
- 2.) Turn on the grinder by switching the on/off switch to the on position. Allow a minute or two for the grinding wheels to reach full operating speed.
- 3.) Once the grinder has reached full operating speed take the dresser head (B) and place it flat on the tool rest while firmly holding the handle of the grinding wheel dresser.
- 4.) Slowly bring the head of the wheel dresser until it lightly makes contact with the grinding wheel (C). Once contact has been made slowly slide the dresser from side to side along the tool rest to dress the grinding wheel. The grinding wheel is fully dressed once the wheel is square and the surface is clear from debris or imperfections.
- 5.) Once you have finished dressing the grinding wheel switch the on/off switch to the off position and allow the grinding wheels to come to a complete stop and cool down for a period of 10 minutes before returning to use.
- 6.) Look closely and inspect the grinding wheel for any spots that may still require further dressing. If the wheel appears damaged, cracked, or has sizeable chips replace the wheel immediately.
- 7.) After dressing the wheel it may be slightly smaller in diameter. You will need to readjust the tool rest and spark deflectors so that there is 1/16" clearance between them and the grinding wheel.

## Changing The Grinding Wheels



Because of normal wear and tear through regular usage the grinding wheels will need to be changed occasionally.

- 1.) Switch the on/off switch to the off position and remove machine from its power source.
- 2.) Move the eye shield up and out of the way to better access the tool rest.
- 3.) Loosen then tool rest knob and move the tool rest away from the grinding wheel.
- 4.) Unfasten and remove the wheel covers by removing the fasteners holding them securely in place.
- 5.) Carefully use a wooden wedge to push gently between the grinding wheel and the guard to keep the shaft from turning. Now use a wrench to remove the arbor hex nut.

### Note:

There is a right and left arbor hex nut. The left hand threaded and can be loosened by turning it clockwise and the right hand threaded hex nut can be loosened by turning it counter clockwise.

- 6.) Take off the outer wheel flange (H) and then remove the grinding wheel (I) from the arbor shaft (G).

### CAUTION!!!

The replacement grinding wheel should have a rating for a higher RPM than the grinders motor. The replacement grinding wheel must have an outer diameter of 8" with a 5/8" bore for the arbor shaft like the original grinding wheels. Always keep the labels located on the sides of the grinding wheel intact. **Do Not** remove the labels as they are made of fiber and help to distribute the holding pressure of the tightened nuts on the grinding wheel flanges.

- 7.) Replace the grinding wheel and outer wheel flange and then tighten the arbor hex nut to firmly secure the grinding disc in place. Pay close attention to the thread direction of the arbor.

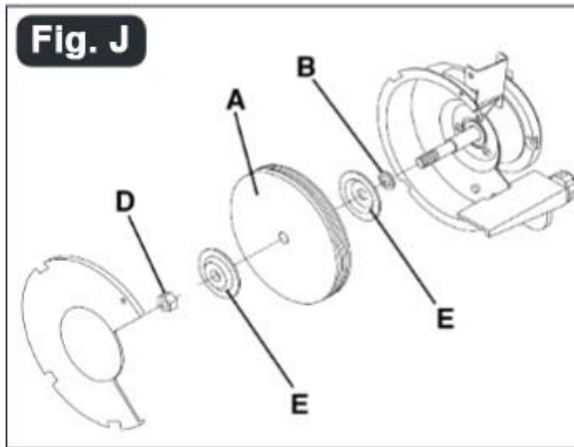
### CAUTION!!!

Be careful not to over tighten the arbor hex nut as this could possibly damage the grinding wheel, wheel flanges, and increase the risk of serious personal injury.

- 8.) Put the wheel covers back into place and make sure they are firmly secured using the fasteners removed in step 4.
- 9.) Plug the machine back in to its power supply and move the on/off switch to the on position. Allow for the grinding wheels to reach full operating speed and observe the wheels to insure they are rotating properly.



## Wire Wheels And Buffing Wheels (Not included)



Wire or buffing wheel (A) can be used with your CX911 Slow Speed Grinder. When adding a wire or buffing wheel depending on the thickness you may be required to add additional spacers (not included) to allow for the arbor hex nut (D) to firmly tighten in place correctly. Fig. J above shows you the correct configuration of the spacers (B).

### Note:

The spacer (B) should always go on to the arbor shaft first followed directly by the wheel flange (E) then the Wheel followed by the wheel flange (E) and finally secured with the arbor hex nut (D).

## CX911 Maintenance

### WARNING!!!

Before beginning any maintenance or adjustments switch the on/off switch in to the off position and remove the machine from its power source.

## Lubrication:

The CX911 is equipped with sealed bearings that are located in the motor housing and are pre lubricated. They will not require any additional lubrication.

## Cleaning:

While the machine is turned off and removed from its power source slowly turn the grinding wheels by hand inspecting them for any damage or debris. Occasionally blow out the area around the grinder to keep the machine as well as the work area tidy.

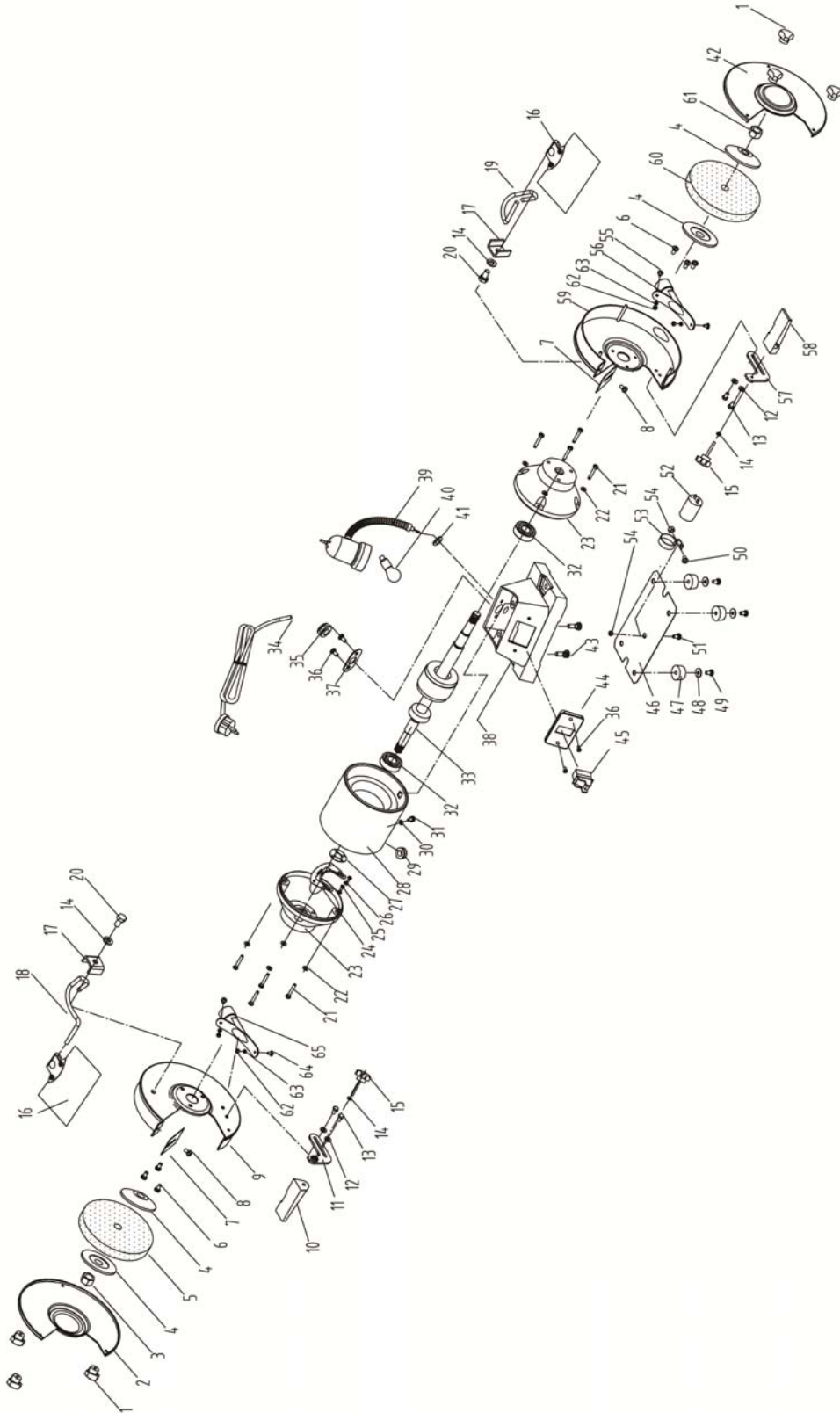
### CAUTION!!!

If grinding wheels appear damaged, cracked, or have a sizeable chip replace them immediately. Failure to do this can result in serious personal injury to the operator as well as cause property damage. Occasionally check all knobs and fasteners to insure they are tight and secure.

### WARNING!!!

Do not use flammable liquids or solvents to clean the CX911 Slow Speed Grinder. A clean dry solvent free rag is all that is required to remove built up dust or debris when cleaning your grinder.

# CX911 Craftex CX Series Slow Speed Grinder



**PART LIST CX911**

ITEM	DESCRIPTION	QTY.	ITEM	DESCRIPTION	QTY
1	Locking knob	6	32	Bearing	2
2	Left wheel guard cover	1	33	Rotor	1
3	I type hex nut	1	34	Power cord	1
4	Flange	4	35	Cord clip	1
5	Grinding wheel 60#	1	36	Screw M5X8	4
6	Screw M6X18	6	37	Cord plate	1
7	Spark deflector	2	38	Base	1
8	Screw M5X10	2	39	Lamp	1
9	Left wheel guard	1	40	Led light	1
10	Left movable tool rest	1	41	Flat washer	1
11	Left fixed tool rest	1	42	Right wheel guard cover	1
12	Flat washer D8	4	43	Hex bolt M8X25	2
13	Hex bolt M8X12	4	44	Switch plate	1
14	Flat washer D6	4	45	Switch plate	1
15	Tool rest locking nut	2	46	Base plate	1
16	Eye shield	2	47	Rubber feet	4
17	Plate	2	48	Big flat washer	4
18	Left eye shield support	1	49	Screw M5X20	4
19	Right eye shield support	1	50	Screw M5X16	1
20	Hex bolt M6x14	2	51	Screw M5X10	1
21	Screw M6X25	8	52	Capacitor	1
22	Spring washer D6	8	53	Capacitor clip	1
23	End bell	2	54	Hex nut M5	2
24	Switch	1	55	Bolt M5X12	4
25	Screw M4X6	2	56	Dust port	2
26	Flat washer D4	2	57	Right fixed tool rest	1
27	Wave washer	1	58	Right fixed tool rest	1
28	Stator	1	59	Right wheel guard	1
29	Cord bushing	1	60	Grinding wheel 120#	1
30	Outer tooth washer D4	1	61	I type hex nut M16	1
31	Screw M4X8	1	62	I type hex nut M5	4
			63	Spring washer	4



## WARRANTY

### CRAFTEX 3 YEARS LIMITED WARRANTY

Craftex warrants every product to be free from defects in materials and agrees to correct such defects where applicable. This warranty covers **three years** for parts and 90 days for labour (unless specified otherwise), to the original purchaser from the date of purchase but does not apply to malfunctions arising directly or indirectly from misuse, abuse, improper installation or assembly, negligence, accidents, repairs or alterations or lack of maintenance.

*Proof of purchase is necessary.*

All warranty claims are subject to inspection of such products or part thereof and Craftex reserves the right to inspect any returned item before a refund or replacement may be issued.

This warranty shall not apply to consumable products such as blades, bits, belts, cutters, chisels, punches etceteras. Craftex shall in no event be liable for injuries, accidental or otherwise, death to persons or damage to property or for incidental contingent, special or consequential damages arising from the use of our products.

### **RETURNS, REPAIRS AND REPLACEMENTS**

To return, repair, or replace a Craftex product, you must visit the appropriate Busy Bee Tools showroom or call 1-800-461-BUSY. Craftex is a brand of equipment that is exclusive to Busy Bee Tools.

For replacement parts directly from Busy Bee Tools, for this machine, please call 1-800-461-BUSY (2879), and have your credit card and part number handy.

- All returned merchandise will be subject to a minimum charge of 15% for re-stocking and handling with the following qualifications.
- Returns must be pre-authorized by us in writing.
- We do not accept *collect* shipments.
- Items returned for warranty purposes must be insured and shipped pre-paid to the nearest warehouse
- Returns must be accompanied with a copy of your original invoice as proof of purchase. Returns must be in an un-used condition and shipped in their original packaging a letter explaining your reason for the return. Incurred shipping and handling charges are not refundable.
- Busy Bee will repair or replace the item at our discretion and subject to our inspection.
- Repaired or replaced items will be returned to you pre-paid by our choice of carriers.
- Busy Bee reserves the right to refuse reimbursement or repairs or replacement if a third party without our prior authorization has carried out repairs to the item.
- Repairs made by Busy Bee are warranted for 30 days on parts and labour.
- Any unforeseen repair charges will be reported to you for acceptance prior to making the repairs.
- The Busy Bee Parts & Service Departments are fully equipped to do repairs on all products purchased from us with the exception of some products that require the return to their authorized repair depots. A Busy Bee representative will provide you with the necessary information to have this done.

