



MODEL CXRDUST

DUST COLLECTION BOX FOR ROUTERS



TABLE OF CONTENTS

Features and Inventory	3
Installation	4
Parts List	5
Warranty.....	7

CXRDUST

Enjoy the best in router table dust collection with the Craftex “**CXRDUST**” under-table Dust Box Enclosure for bench top and floor model router tables. The Dust Box Enclosure is designed to fit most router tables.

This enclosure is constructed of galvanized steel and comes with a power cord grommet, a 4” x 4” x 2.5” Y Fitting, 2 – 2 ½ ” hose clamps and 30” flexible clear dust hose for easy connection to the fence dust port.

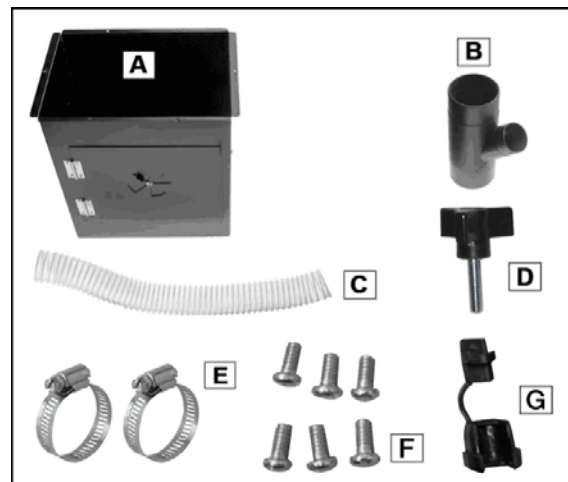
The CXRDUST is easy to install as it is equipped with pre-drilled mounting holes on the top mounting flange. The air vent allows easy adjustment of air volume for the best control for dust extraction and helping to prevent boards from sticking to the table during use. The convenient easy-access door with a built in sturdy magnetic catch makes it quick and easy to adjust router height. The Craftex CXRDUST Under-Table Dust Box Enclosure is a vital addition to any router table.

The CXRDUST Features:

- Access door with magnetic latch

- Mechanical air vent for fine tuning vacuum pressure
- Power cord grommet for router cord
- 4 x 4 x 2 ½” Y fitting
- 2 ½” clear flex hose with 2 hose clamps
- Dimensions: 13 in. x 10-1/4 in. x 13-7/8

Inventory



- A.** Dust Box
- B.** Y Fitting 4” x 4” x 2.5”
- C.** Dust Hose 2 ½” x 28”
- D.** Knob
- E.** Hose Clamps
- F.** PHLP HD SCR 3/16" X 3/8"
- G.** Strain Relief

Installation:

- 1.) Attach the dust box to the underside of the router table using the 6 supplied (10-24 x 3/8") Phillips head screws. You will require a 11/64" drill bit to drill the holes into a metal router table and a 10-24 tap to thread the new mounting holes. If installing in a wooden or mdf router table use #8 3/8" wood screws (wood screws not included). (Please note that the vent should be facing the front of the machine.) See figure 1 below.

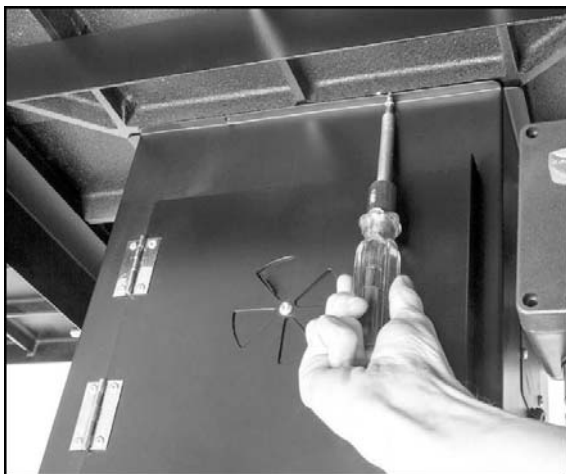


Figure 1

- 2.) Install the Y fitting (see figure 2) on dust port and secure in place with (1) 1/4-20 x 1/2 knob bolt.

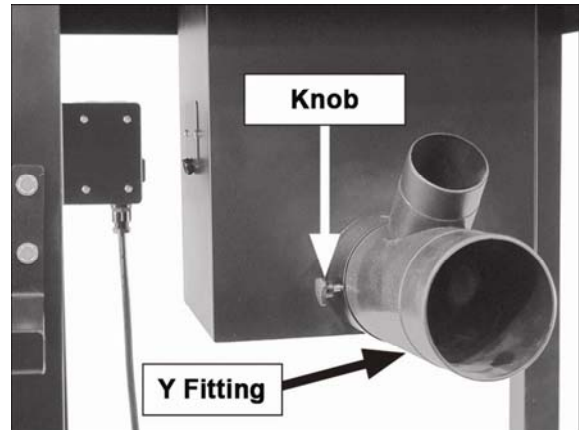


Figure 2 Y Fitting attached to dust port.

- 3.) Attach the 2 1/2" hose from the fence dust port to the Y fitting on the Dust Box and secure in place using (2) 2 1/2" dust clamps. See figure 3.

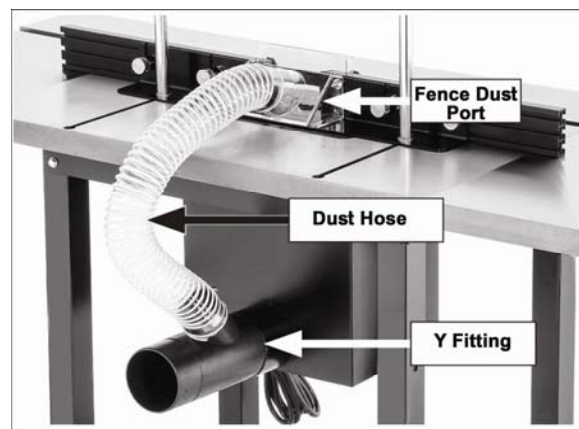
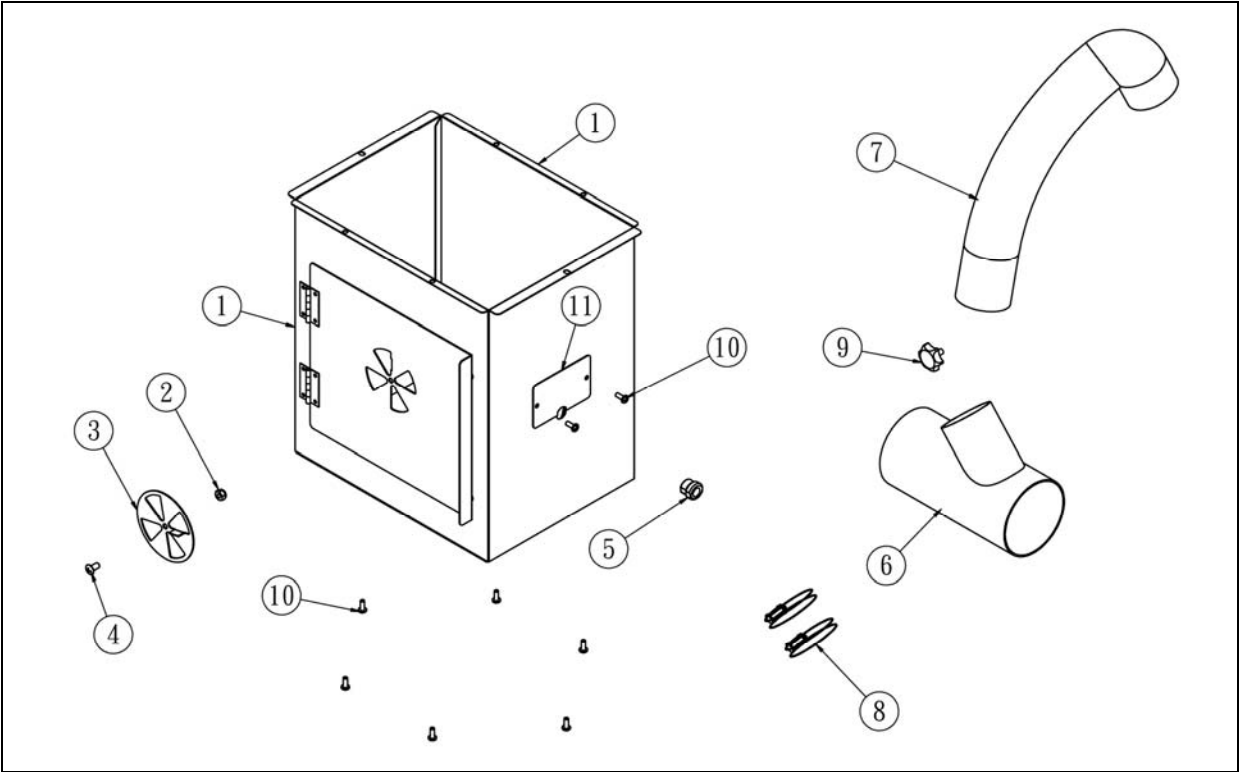


Figure 3

Parts List

Part No.	Part Number	Description	Qty
1	PCXRDUST01	Dust Box Body	1
2	PCXRDUST02	Nut – Hex ¼-20 Installed	1
3	PCXRDUST03	DUST BOX VENT PLATE Installed	1
4	PCXRDUST04	Screw – button head cap ¼-20 x ½” Installed	1
5	PCXRDUST05	Grommet Strain Relief	1
6	PCXRDUST06	4 x 4 x 2 ½” Y fitting	1
7	PCXRDUST07	2 ½” dust hose	1
8	PCXRDUST08	Band hose clamps	2
9	PCXRDUST09	Knob ½-20 x 1/2	1
10	PCXRDUST10	Screw – Phillips head 3/16 x 3/8”	8
11	PCXRDUST11	Cord clamp plate	1

CXRDUST DIAGRAM





WARRANTY

CRAFTEX 3 YEARS LIMITED WARRANTY

Craftex warrants every product to be free from defects in materials and agrees to correct such defects where applicable. This warranty covers **three years** for parts and 90 days for labour (unless specified otherwise), to the original purchaser from the date of purchase but does not apply to malfunctions arising directly or indirectly from misuse, abuse, improper installation or assembly, negligence, accidents, repairs or alterations or lack of maintenance.

Proof of purchase is necessary.

All warranty claims are subject to inspection of such products or part thereof and Craftex reserves the right to inspect any returned item before a refund or replacement may be issued. Return authorization may take up to 72 hours for inspection and approval.

This warranty shall not apply to consumable products such as blades, bits, belts, cutters, chisels, punches etceteras. Craftex shall in no event be liable for injuries, accidental or otherwise, death to persons or damage to property or for incidental contingent, special or consequential damages arising from the use of our products.

RETURNS, REPAIRS AND REPLACEMENTS

To return, repair, or replace a Craftex product, you must visit the appropriate Busy Bee Tools showroom or call 1-800-461-BUSY. Craftex is a brand of equipment that is exclusive to Busy Bee Tools. For replacement parts directly from Busy Bee Tools, for this machine, please call 1-800-461-BUSY (2879), and have your credit card and part number handy.

- All returned merchandise will be subject to a minimum charge of 15% for re-stocking and handling with the following qualifications.
- Returns must be pre-authorized by us in writing.
- We do not accept *collect* shipments.
- Items returned for warranty purposes must be insured and shipped pre-paid to the nearest warehouse
- Returns must be accompanied with a copy of your original invoice as proof of purchase. Returns must be in an un-used condition and shipped in their original packaging a letter explaining your reason for the return. Incurred shipping and handling charges are not refundable.
- Busy Bee will repair or replace the item at our discretion and subject to our inspection.
- Repaired or replaced items will be returned to you pre-paid by our choice of carriers.
- Busy Bee reserves the right to refuse reimbursement or repairs or replacement if a third party without our prior authorization has carried out repairs to the item.
- Repairs made by Busy Bee are warranted for 30 days on parts and labour.
- Any unforeseen repair charges will be reported to you for acceptance prior to making the repairs.
- The Busy Bee Parts & Service Departments are fully equipped to do repairs on all products purchased from us with the exception of some products that require the return to their authorized repair depots. A Busy Bee representative will provide you with the necessary information to have this done